

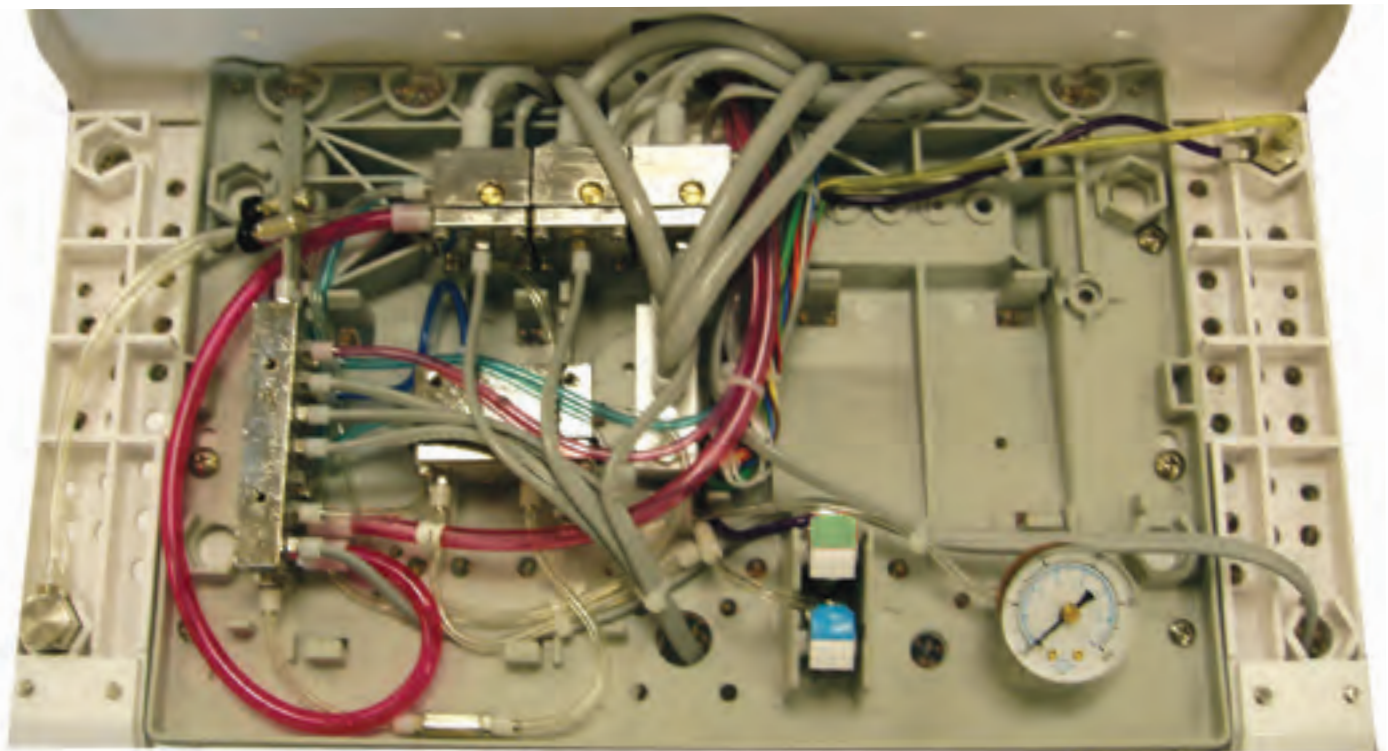


DENTECH CORPORATION

PARTS and ACCESSORIES

***Interactive* CATALOG**

Click on "D" Logo to jump to Table of Contents.



Catalog Part Number 01-13-451 Rev. B Effective January 1, 2006 Printed in USA.

NOTE: FOR FUTURE UPDATES AND CHANGES, CHECK THE
DOWNLOAD SECTION AT THE DENTECH WEBSITE,
WWW.DENTECHCORP.COM.

DENTECH CORPORATION

1835 Liberty Street, Lynden, Washington, 98264 U.S.A.

Telephone: 360-354-3978 Toll Free Phone: 1-800-826-5004

Fax: 360-318-1630 Toll Free Fax: 1-800-224-3776

E-mail: sales@dentechcorp.com, tech@dentechcorp.com

Web site: www.dentechcorp.com

GENERAL ORDER INFORMATION

ALL ORDERS FOR **DENTECH** PARTS SHOULD BE PLACED THROUGH YOUR AUTHORIZED **DENTECH** DEALERS.

PARTS WILL ONLY BE SHIPPED FROM DENTECH WHEN AN AUTHORIZED PURCHASE ORDER HAS BEEN RECEIVED.

WHEN PLACING YOUR ORDER, PLEASE INCLUDE THE FOLLOWING INFORMATION:

- **QUANTITY REQUIRED**
- **PART NUMBER**
- **DESCRIPTION**
- **MAILING ADDRESS**
- **APPROXIMATE SHIPPING DATE**
- **METHOD OF TRANSPORTATION**
- **PURCHASE ORDER NUMBER**

TERMS:

- ALL SHIPMENTS FOB LYNDEN, WASHINGTON.
- NET 30 DAYS AFTER INVOICE DATE OR 1% NET 10, ON APPROVED CREDIT.
- MINIMUM ORDER: \$50.00 RETAIL
- ALL PRICES ARE SUBJECT TO CHANGE WITHOUT NOTICE.

Dentech Returned Goods Policy:

When returning any product to **Dentech Corporation** you must first obtain a **Return Authorization Number from Dentech or Conex Customer Service**. This policy includes Warranty replacement products and Stock un-opened product (Less than **90** days old).

Please be prepared to provide the following information:

- Original Dentech invoice number with product serial numbers
- Reason for product return or product failure
- All approved credits will reflect original DENTECH invoice amount.

All returns will be subject to a minimum **20% restocking fee** unless covered warranty product. Return goods shipping charges to and from Dentech Corporation are the responsibility of the Owner-user through authorized dealers only. Any goods returned without an RA number displayed on the outside of the shipping box will be refused and automatically be returned to the sender. The product must be returned within a 90-day period from date of RA. Collect shipments will not be accepted nor will shipping charges be credited.

DELIVERY:

STANDARD ITEMS SHIPPED WITHIN 48 HOURS AFTER ORDER RECEIPT.

CUSTOMER SERVICE:

DENTECH CUSTOMER SERVICE IS AVAILABLE BY PHONE FOR ORDER ENTRY OR TECHNICAL ASSISTANCE MONDAY THRU FRIDAY, 6:00 A.M. TO 5:00 P.M. (PST). FAX IS AVAILABLE 24 HOURS A DAY.

PAYMENT ADDRESS: 1835 LIBERTY STREET, LYNDEN, WA. 98264 USA



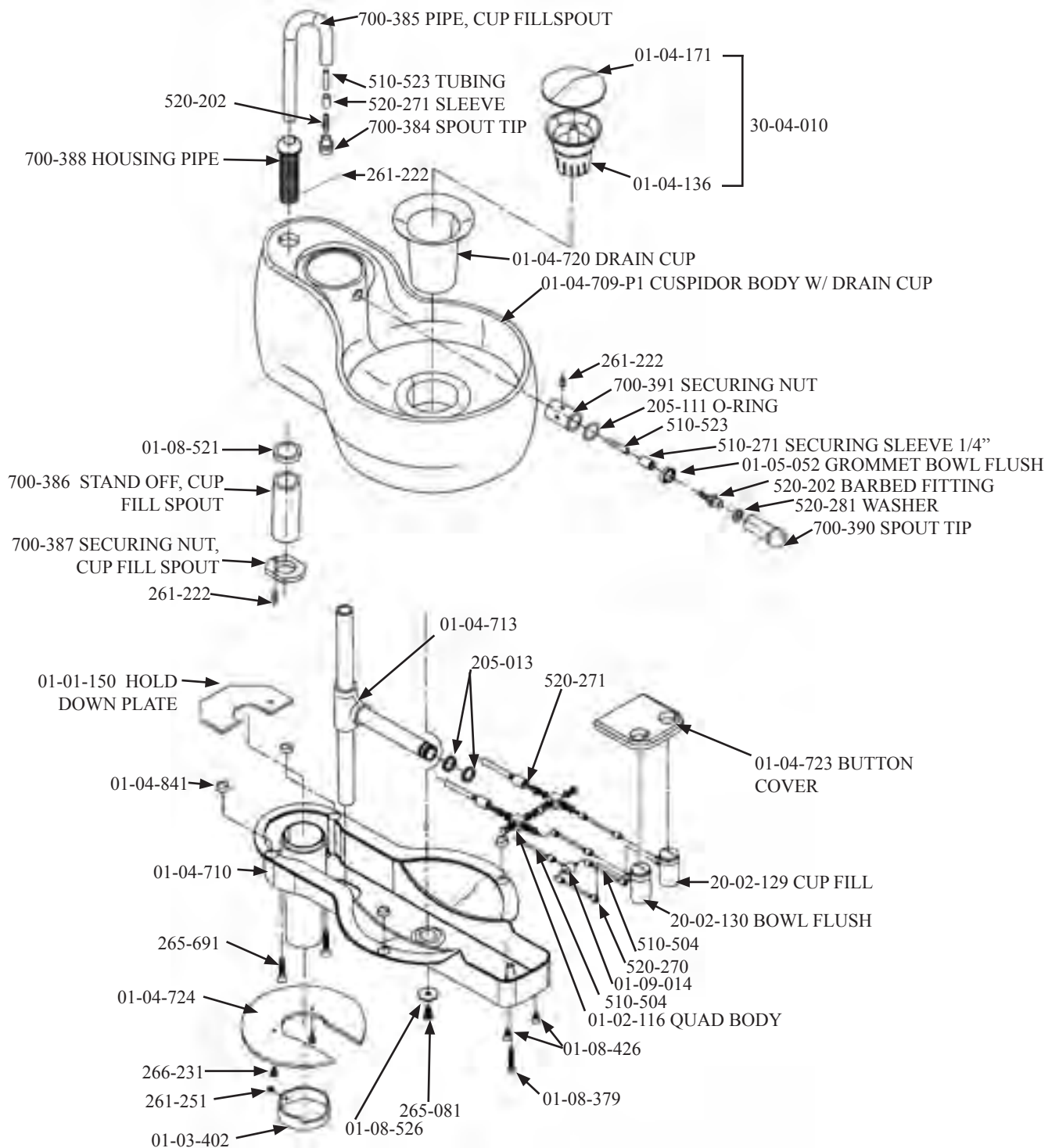
TABLE OF CONTENTS

Click on a section below to jump to that section. Click on “D” Logo to return to Table of Contents.

CUSPIDOR	SECTION 1
DISTRUBUTION BOXES & ACCESSORIES	SECTION 2
CONTROL HEAD & ACCESSORIES	SECTION 3
CARTS, CABINETS, WALL MOUNTS	SECTION 4
ULTIMA 2 & ENDURANCE 1 CHAIRS	SECTION 5
ECO 19 CHAIR	SECTION 6
STOOLS	SECTION 7
LIGHTS	SECTION 8
ARMS	SECTION 9
SYRINGES	SECTION 10
FOOT CONTROLS	SECTION 11
UTILITY BOXES & REGULATORS	SECTION 12
CLEAN WATER	SECTION 13
TRAYS	SECTION 14
TUBINGS & FITTINGS	SECTION 15
SERVICE ITEMS	SECTION 16

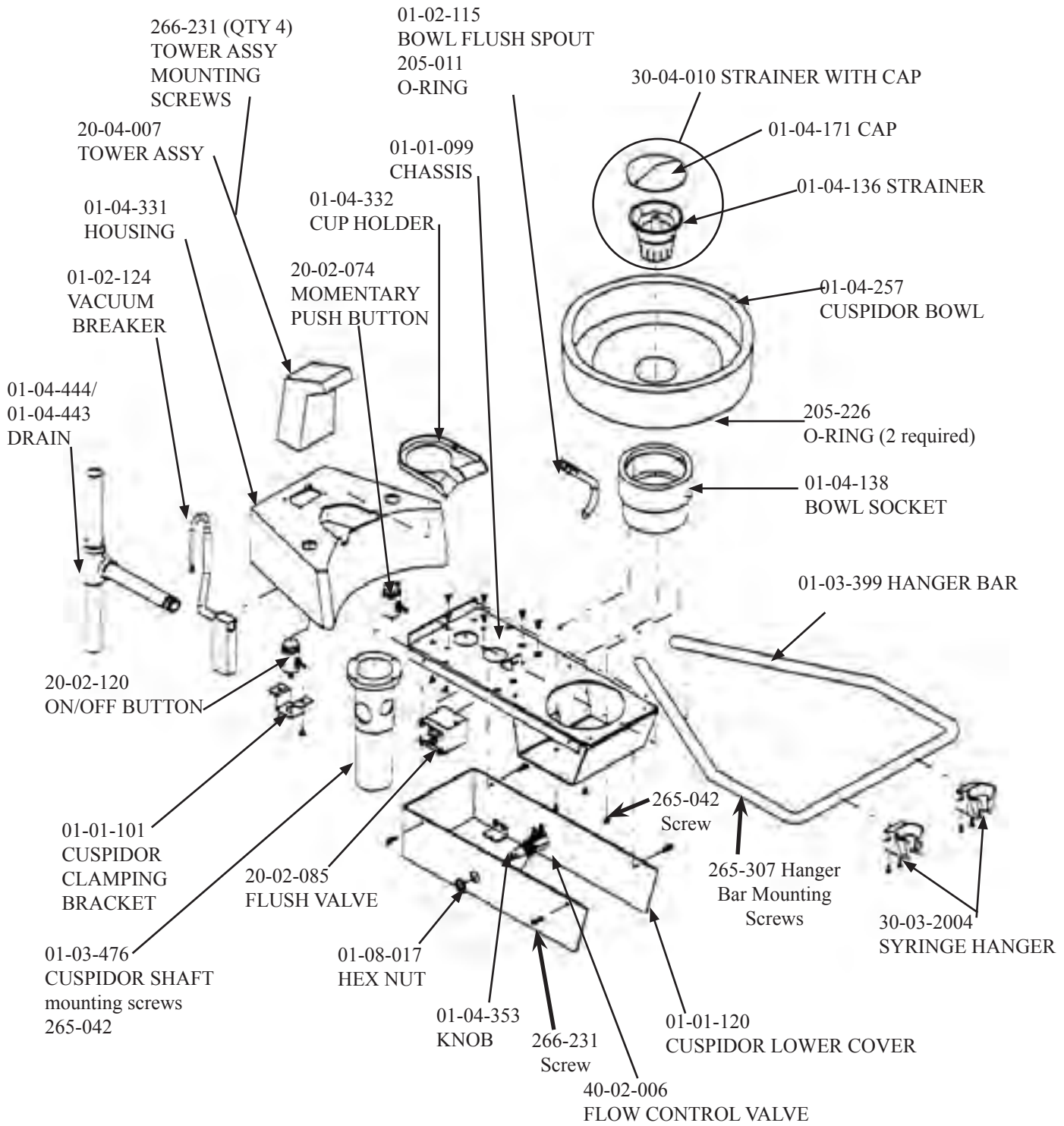


NOTES:



CUSPIDOR BLOWUP DIAGRAM

CUSPIDOR



CUSPIDOR BLOWUP DIAGRAM

If you remove the cuspidor and want to cover the cuspidor hole, order cover part number 01-04-515



CUSPIDOR REPLACEMENT KIT
•ADVANCE/SOLUTION SERIES

S00-004



CUSPIDOR REPLACEMENT KIT
•FOR ENDURANCE UNITS

CUSP-UPGRADE110



CUSPIDOR REPLACEMENT KIT
•INCLUDES TIMER BLOCKS AND BRACKET

CUSP-UPGRADE410



CUSPIDOR REPLACEMENT KIT FOR ADVANCE
•INCLUDES TIMER BLOCKS, COVER, AND
MOUNTING BRACKET

CUSP-UPGRADE2310

NOTE: TO RECEIVE THE CORRECT BOX COVER, SPECIFY IF DISTRIBUTION BOX HAS: **REMOVABLE SIDE COVERS** OR **ONE-PIECE BOTTOM COVER**.

CUSPIDOR



01-04-138
Endurance

CUSPIDOR BOWL SOCKET/DRAIN CUP

01-04-138 ENDURANCE/100 SERIES
BOWL SOCKET

01-04-720 ADVANCE/SOLUTION DRAIN CUP



01-04-720
Advance &
Solution



01-04-709-P1

CUSPIDOR BOWLS

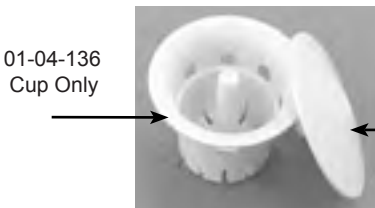
01-04-709-P1 ADVANCE/SOLUTION
(COMES WITH DRAIN CUP)

01-04-257 ENDURANCE

205-226 O-RING FOR ENDURANCE (req.2)



01-04-257



01-04-136
Cup Only

01-04-171
Cap Only

CUSPIDOR STRAINER

30-04-010 ENDURANCE, ADVANCE, AND
SOLUTION, COMPLETE

01-04-171 LID ONLY

01-04-136 STRAINER CUP ONLY

CUSPIDOR SPOUTS AND CUP FILL PIPE

- 01-02-065 FOR THE CM100 SERIES UNITS
- 205-012 O-RINGS (REQUIRES 2)

- 01-02-115 FOR THE CM200/400 SERIES UNITS
- 205-011 O-RINGS (REQUIRES 2)

- 700-385 PIPE ONLY



700-385



01-02-065
requires 2 O-Rings 205-012



01-02-115
requires 2 O-Rings 205-011

CUSPIDOR TOWER

- 20-04-007 ENDURANCE CUP FILL TOWER
- 266-231 MOUNTING SCREWS (REQ. 4)



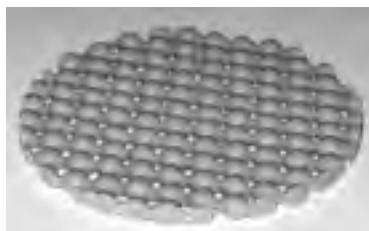
CUSPIDOR HOUSING

- 01-04-331 FOR ENDURANCE UNITS



CUP HOLDER AND PAD

- 01-04-332 CUP HOLDER
- 01-04-836 ANTI-SKID PAD



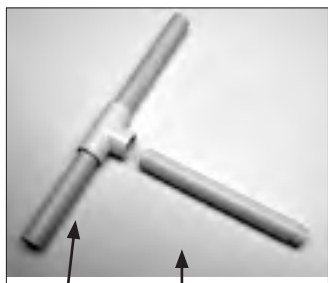
01-04-836 Anti-skid Pad



01-04-332 Cup Holder

- Z-01-04-143 OLD CUP HOLDER FOR 100 SERIES





01-04-444

01-04-443

CUSPIDOR DRAINS

01-04-444 FOR THE CM200 SERIES
01-04-443 (REQUIRES 2 O-RINGS)

205-013 O-RING (SOLD SEPARATELY)



30-04-009

30-04-009 FOR THE CM100 SERIES
(COMES WITH 2 O-RINGS INSTALLED)



01-04-713

01-04-713 FOR THE ADVANCE/SOLUTION SERIES
(REQUIRES 2 O-RINGS)

205-013 O-RING (SOLD SEPARATELY)



CUSPIDOR VACUUM BREAKER

01-02-124 CUSPIDOR VACUUM BREAKER

265-022 MOUNTING SCREW (1 REQUIRED)

CUSPIDOR BOWL RINSE BLOCK

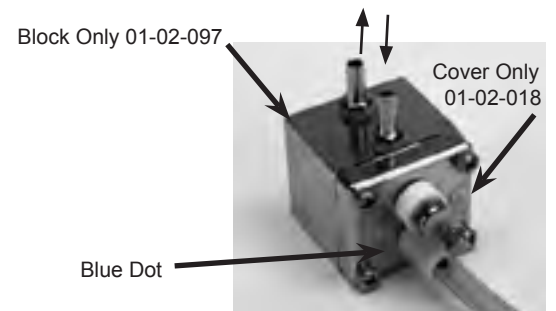
40-02-007 USED FOR THE CM100
SERIES,
SPOUT PART # 01-02-065
FITS INTO THIS BLOCK.



CUSPIDOR BOWL RINSE BLOCK

20-02-085 USED FOR ADVANCE, SOLUTION
& ENDURANCE SERIES

01-02-097 BLOCK ONLY
01-02-018 COVER ONLY
265-024 COVER SCREW
530-011 NEEDLE VALVE
01-08-004 MOUNTING SCREW

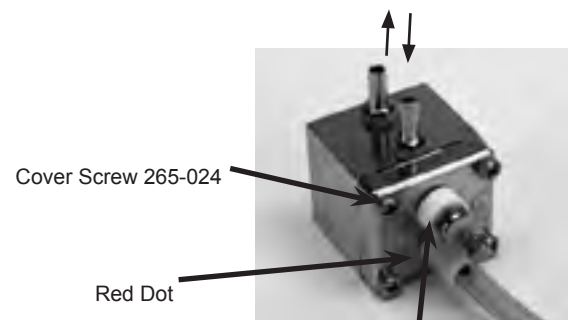


Mounting Screws 01-08-004

CUP FILLER BLOCK

20-02-069 CUP FILLER BLOCK
● USED FOR ADVANCE/SOLUTION

01-02-097 BLOCK ONLY
01-02-018 COVER ONLY
265-024 COVER SCREW
530-011 NEEDLE VALVE
01-08-004 MOUNTING SCREW



Needle Valve 530-011

AIR OR WATER AUTO SHUT-OFF VALVE REPAIR KIT (USE WITH BLOCKS 20-02-085 AND 20-02-069)

40-02-002 ● 1X 01-04-018 VALVE SEAT
● 1X 40-02-069 POPPET VALVE
● 1X 206-004 SPRING
● 1X 01-05-002 DIAPHRAGM
● 1X 159-001 O-LUBE BLISTER PACK





MOMENTARY BOWL RINSE SWITCH

40-02-005 ENDURANCE CUSPIDOR



MOMENTARY CUP FILLER SWITCH

40-02-004 ENDURANCE CUSPIDOR



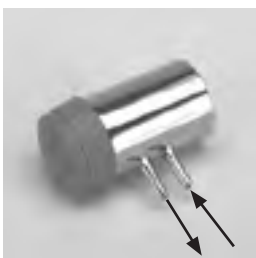
MOMENTARY WHITE PUSH BUTTON VALVE

20-02-120 CUP FILLER



MOMENTARY WHITE PUSH BUTTON VALVE

20-02-074 BOWL RINSE



ON/OFF PUSH BUTTON VALVE CUP FILLER
FOR USE ON ADVANCE/SOLUTION CUSPIDOR

20-02-129 VALVE ASSEMBLY ONLY
01-05-050 CUP FILLER COVER, LIGHT BLUE



ON/OFF PUSH BUTTON VALVE BOWL FILLER
FOR USE ON ADVANCE/SOLUTION CUSPIDOR

20-02-130 VALVE ASSEMBLY ONLY
01-05-053 BOWL FILLER COVER, DARK BLUE



DISTRIBUTION BOXES AND ACCESSORIES

SOLIDS COLLECTOR TRAP

- MOLDED HOUSING WHITE
- LOCKED LID
- REMOVABLE SCREEN
- ACCEPTS 2 HVE TUBING 1/2" I.D.
- ACCEPTS 1 SE TUBING 1/4" I.D.
- REAR DRAIN
- 5/8" O.D. DRAIN

Mounting Screw 265-232

Nut 272-022



01-04-229-REP

265-232 MOUNTING SCREW
272-022 NUT

(See CONTROL HEAD section for more Solids Collector options)

PORT CAP

- TO SEAL 2ND HVE PORT ON VACUUM CANISTER

01-05-017



VACUUM ADAPTER

01-04-704



DRAIN SPOUT FOR VACUUM CANISTER

01-04-344



PLUG 1/2"

- TO COVER ACCESSORY
OPENING ON VACUUM CANISTER

230-053

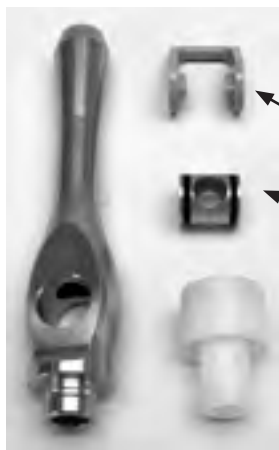


DISTRIBUTION BOXES AND ACCESSORIES



AUTOCLAVABLE HVE VALVE

- VALVE FEATURES FINGER TIP ON/OFF AND FLOW CONTROL WITH LEVER OPERATED DESIGN. SWIVEL QUICK DISCONNECT (7/8" O.D.) ALLOWS 360 DEGREES ROTATION OF ENTIRE VALVE AND ADAPTS TO 1/2" I.D. VACUUM TUBING. THIS VALVE SNAPS APART AT THE SWIVEL TO ALLOW AUTOCLAVING. THE SWIVEL REMAINS IN THE TUBING AND IT IS NOT AUTOCLAVABLE.



HVE Tubing 510-625

- 40-04-008 HVE VALVE ASSEMBLY**
- 30-04-030 HVE VALVE WITH 54" SMOOTH TUBING
- 01-04-530 HVE LEVER
- 01-03-556 HVE SPOOL
- 01-04-560 HVE SWIVEL
- 205-513 O-RING-II-013S FOR USE IN TIP
- 205-514 O-RING-II-014S FOR USE IN SWIVEL
- 510-625 HVE TUBING (BY THE FOOT)



- VACUUM BASE PLUG FOR HVE AND SE
- USED TO SEAL VAC LINE WHEN VALVES ARE REMOVED FOR CLEANING

01-03-872



SE Tubing 510-635

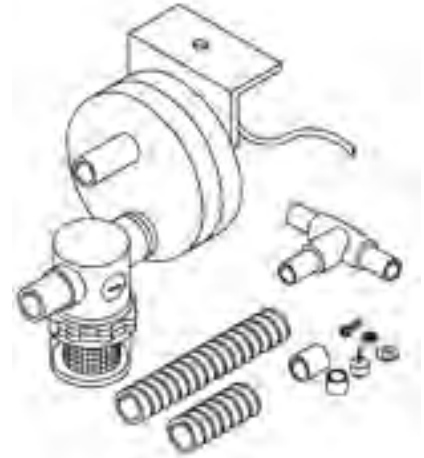
AUTOCLAVABLE SE VALVE

- VALVE FEATURES FINGER TIP ON/OFF AND FLOW CONTROL LEVER OPERATED DESIGN. SWIVEL QUICK DISCONNECT ALLOWS 360 DEGREES ROTATION OF ENTIRE VALVE AND ADAPTS TO SE TUBING. THIS VALVE SNAPS APART AT THE SWIVEL TO ALLOW AUTOCLAVING. THE SWIVEL REMAINS IN THE TUBING AND IT IS NOT AUTOCLAVABLE.

- 40-04-003 SE VALVE ASSEMBLY**
- 30-04-031 SE VALVE WITH 54" SMOOTH TUBING
- 01-04-535 SE LEVER
- 01-03-536 SE SPOOL
- 01-04-544 SE SWIVEL
- 205-512 O-RING-II-012S FOR USE IN SWIVEL
- 01-05-040 SE TIP AUTOCLAVABLE
- 510-635 SE TUBING (BY THE FOOT)

DISTRIBUTION BOXES AND ACCESSORIES

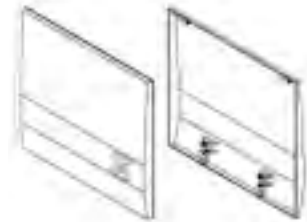
- VACUUM DRAIN CUSPIDOR KIT
MAY BE ADAPTED TO ALL GRAVITY DRAIN CUSPIDORS
- VACUUM DRAIN VALVE
 - FLUSH NIPPLE
 - FILTER ASSEMBLY
 - TUBING
 - INSTALLATION HARDWARE
- 10-14-195



- DISTRIBUTION BOX SIDE COVER
- MAGNET STYLE
 - GREY TEXTURE FINISH
 - ONE SIDE ONLY & W/O CLIPS

Z-01-04-243

Z-01-08-246 SCREW FOR NON-MAGNETIC COVER (must drill holes)



CLIPS AND RETAINING MAGNET FOR DISTRIBUTION SIDE COVERS

- | | |
|-------------|--------------|
| Z-01-08-363 | MAGNETS |
| Z-01-01-089 | CLIP |
| Z-01-08-364 | STRIKE PLATE |



ENDURANCE DISTRIBUTION CENTER

01-01-008 SIDE COVER

01-01-007 HOUSING



BEARING BLOCK FOR CUSPIDOR

30-03-013

MOUNTING SCREWS

260-523



DISTRIBUTION BOXES AND ACCESSORIES



COVER AND SOCKET FOR ENDURANCE STYLE DISTRIBUTION BOX

Z-01-01-103
Z-01-04-340

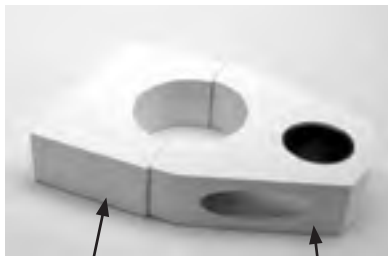
COVER, D-CENTER HOLE
HOLE COVER PLUG



BEARING CLAMP FOR ENDURANCE VACUUM BOX

30-03-008
260-523

CLAMP
MOUNTING SCREWS(2 REQ)



MOUNTING CLAMP W/ SOCKET

• MOUNTS 200 SERIES
TELESCOPING ARM

01-03-2107
01-03-058
260-523

REAR CLAMP
FRONT CLAMP
MOUNTING SCREWS(2 REQ)

01-03-058

01-03-2107



DISTRIBUTION CENTER FRONT AND REAR COVER

•USE WITH BOTH ADVANCE AND
SOLUTION SERIES DISTRIBUTION CENTERS

01-04-2008
01-04-2009

FRONT COVER
BACK COVER

01-04-2008

01-04-2009

DISTRIBUTION BOXES AND ACCESSORIES

CURRENT (2005) ADVANCE SERIES DISTRIBUTION CENTER TOP COVERS



01-04-2007
CUSPIDOR AND LIGHTPOST



01-04-2012
LIGHTPOST ONLY



01-04-2016
CUSPIDOR ONLY

SOLUTION SERIES DISTRIBUTION CENTER TOP COVERS



700-369
CUSPIDOR AND LIGHTPOST



700-370
LIGHTPOST ONLY



700-375
CUSPIDOR ONLY



DISTRIBUTION CENTER SIDE COVERS

SOLUTION COVER
01-04-2011

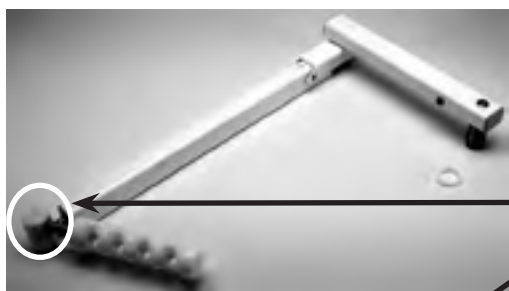
ADVANCE COVER
01-04-2010



THUMBSCREW FOR DISTRIBUTION CENTER COVERS (NOT SHOWN)
220-011 (2 NEEDED PER SIDE COVER)

WASHERS (USE WITH SOLUTION COVER)
271-084

DISTRIBUTION BOXES AND ACCESSORIES



UNIT MOUNTED TELESCOPIC ARM (400 SERIES)

- ARTICULATED TELESCOPIC ARM 38" REACH
- UNIT MOUNT
- STANDARD 4 POSITION HANGER BAR DELRIN
- WHITE FINISH

10-03-057

- 01-04-551 UPPER SWIVEL
- 01-04-552 LOWER SWIVEL
- 01-04-542 SWIVEL MYLAR WASHER
- 01-08-184 SELF SECURING HEX NUT
- 01-04-550 SWIVEL COVER
- 01-08-229 SWIVEL HEX SOCKET SET SCREW



POST MOUNTED TELESCOPIC ARM (200 SERIES)

- ARTICULATED TELESCOPIC ARM 38" REACH
- POST MOUNTED CLAMP FOR A 2" DIA. POST
- STANDARD 4 POSITION HANGER BAR DELRIN
- WHITE FINISH

10-03-027



ASSISTANT'S HOLDER BAR (TELESCOPIC ARM)

- Z-01-04-553 TRIPLE WHITE DELRIN
- 01-04-591 QUAD WHITE DELRIN
- Z-01-03-539 HOLDER BAR PIVOT SHAFT



ASSISTANT'S HANGER BAR (TELESCOPIC ARM)

- STRAIGHT WHITE BAR
- 3X STANDARD HOLDER

20-03-115 HANGER BAR ASSEMBLY



ASSISTANT'S ARM ASSEMBLY

- ADVANCE/SOLUTION SERIES

- 700-339 ASSISTANT'S ARM ASSEMBLY
- 700-325 ASSISTANT'S HANGER COVER
- 01-04-175 SOLIDS COLLECTOR SCREEN
- 205-032 O-RING
- 01-04-699 SOLIDS COLLECTOR LID

DOES NOT INCLUDE HVE OR SE VALVES



ACTIVATING LEVER
Z-01-04-013
 • FOR SOLUTION/ADVANCE SERIES MOLDED HANDPIECE HANGERS



ACTIVATING LEVER
01-04-546
 • FOR HANDPIECE HANGER 30-03-048 AND 30-03-2000 (SEE BELOW)



ACTIVATING LEVER
Z-250-963
 • FOR HANDPIECE HANGER 250-960 (SEE BELOW)

STANDARD HANGER
 • MOLDED GREY PLASTIC
 • SYRINGE, SE, HVE, MANUAL HOLDER

30-03-005 HANDPIECE HANGER ASSEMBLY COMPLETE
01-04-011 HANDPIECE HANGER MOLDED (FRONT)
01-03-540 HANDPIECE HANGER BRACKET



AUTOMATIC HANDPIECE HANGERS
 • MOLDED GREY PLASTIC

30-03-048 HANDPIECE HANGER ASSEMBLY COMPLETE
01-04-012 HANDPIECE HANGER MOLDED (FRONT)
01-03-538 HANDPIECE HANGER BRACKET
01-04-546 ACTIVATING LEVER
40-02-060 HANGER VALVE REPLACEMENT



• MOLDED GREY PLASTIC WITH LOCKOUT

30-03-050 HANDPIECE ASSEMBLY WITH LOCKOUT
40-02-024 HANGER VALVE REPLACEMENT

30-03-048
 Valve 40-02-060

30-03-050
 Valve 40-02-024

STANDARD EGG HANDPIECE HANGERS
 • MOLDED WHITE PLASTIC
 • HVE, SE, SYRINGE MANUAL HOLDER

Z-250-961 HANDPIECE HANGER



AUTOMATIC EGG HANDPIECE HOLDER
 • MOLDED WHITE PLASTIC

Z-250-960 HANDPIECE HANGER ASSEMBLY
Z-250-963 ACTIVATING LEVER

Z-250-961

Z-250-960
 Valve 250-964

STANDARD HANGERS AS OF 4/1/2003

• MOLDED WHITE PLASTIC
 • SYRINGE, SE, HVE, MANUAL HOLDER

30-03-2004 HANDPIECE HANGER ASSEMBLY W/ SCREWS
30-03-2005 CUSTOM HVE HANGER (HANGS AT THE SWIVEL)



AUTOMATIC HANDPIECE HOLDER AS OF 4/1/2003
 • MOLDED WHITE PLASTIC

30-03-2000 HANDPIECE HANGER ASSEMBLY COMPLETE
01-04-546 ACTIVATING LEVER
40-02-060 VALVE ASSEMBLY



Valve 40-02-060

CONTROL HEAD & ACCESSORIES



AIR / WATER COOLANT BLOCK



20-02-051 COOLANT BLOCK



01-02-079 COOLANT BLOCK COVER



530-011 NEEDLE VALVE



COOLANT BLOCK REPAIR KIT

- 2X 50-02-010 PISTON WITH O-RINGS
- 1X 01-05-024 DIAPHRAGM
- 2X 206-008 SPRINGS
- 1X 159-001 O-LUBE BLISTER PACK

40-02-036

(If installing in a Multi-Function Block add 206-016 Spring.)

GASKET AND DIAPHRAGM IDENTIFICATION (ACTUAL SIZE)



HANDPIECE CONTROL
& SHUT OFF BLOCK
DIAPHRAGM
01-05-002



COOLANT BLOCK DIAPHRAGM
01-05-024



HANDPIECE CONTROL
BLOCK FLAT SEAL
01-05-001



OLD STYLE MANUAL CONTROL
BLOCK DIAPHRAGM
01-05-009



OLD WATER BLOCK
DIAPHRAGM
Z-01-05-003

CONTROL HEAD & ACCESSORIES

CONTROL BLOCK KIT FOR STANDARD UNITS

- USE THIS KIT TO ADD A HANDPIECE POSITION TO A CONTROL IN THE FIELD.
- HANDPIECE HANGER AND TUBING FOR SINGLE HANDPIECE
- HANDPIECE CONTROL WITH AIR AND WATER COOLANT TO AN EXISTING CONTROL SYSTEM.

(INTERNATIONAL SERIES UNITS ARE NOT UPGRADABLE IN THE FIELD.)

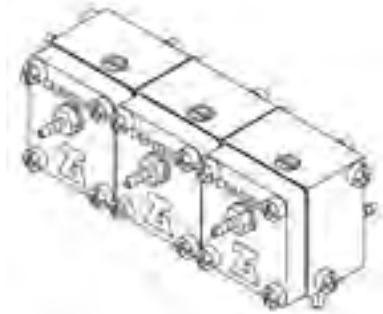
10-14-019	2-3 OR 3-4 ENDURANCE W/ 30-03-048 GREY HANGERS
Z-10-14-019-A	ADVANCE W/ ENCLOSED HANGERS
10-14-019-A2	ADVANCE W/ 250-960 EGG HANGERS
10-14-019-A3	ENDURANCE/ADVANCE W/ 30-03-2000 WHITE HANGERS
Z-10-14-019-S	SOLUTION HANGERS
232-006	INTERNATIONAL HEAD (CURRENT ADVANCE)



Screws (2) for 4 Handpiece 01-08-313
Screws (2) for 3 Handpiece 01-08-312

HANDPIECE CONTROL BLOCKS

20-02-012	2 HANDPIECE CONTROL BLOCK SET
20-02-001	3 HANDPIECE CONTROL BLOCK SET
20-02-033	4 HANDPIECE CONTROL BLOCK SET



INDIVIDUAL HANDPIECE BLOCKS

30-02-002	LEFT HAND BLOCK (SUPPLY BLOCK)
30-02-003	CENTER BLOCK
30-02-004	RIGHT HAND BLOCK (END BLOCK)



LEFT



CENTER



RIGHT

HANDPIECE CONTROL BLOCK REPAIR KIT

- 2X 01-05-001 FLAT SEALS
- 3X 01-05-002 DIAPHRAGMS
- 3X 205-002 O-RING-II-002
- 3X 205-006 O-RING-II-006
- 1X 159-001 O-LUBE BLISTER PACK

40-02-062



HANDPIECE CONTROL BLOCK COVER

01-02-005 COVER

265-024 COVER SCREWS



CONTROL HEAD & ACCESSORIES



DRIVE AIR ADJUSTMENT SCREW
40-02-009

40-02-009

FLOW CONTROL VALVE FOR
HANDPIECE CONTROL BLOCK
40-02-053



40-02-053



FLOW CONTROL KNOB FOR
HANDPIECE BLOCKS

01-04-353



FLOW CONTROL KNOB FOR
COOLANT AIR VALVE
01-04-483



ON/OFF INDICATOR REPAIR KIT

- 2X 40-02-058 ACTIVATOR PISTON
- 1X 01-04-469 ON/OFF INDICATOR GREEN (previously Red)
- 2X 01-04-476 INDICATOR HINGE
- 1X 01-04-479 ON/OFF INDICATOR BLUE
- 2x 206-017 SPRING INDICATOR
- 1X 159-001 O-LUBE BLISTER PACK

40-02-073

PRESSURE GAUGES



01-12-005



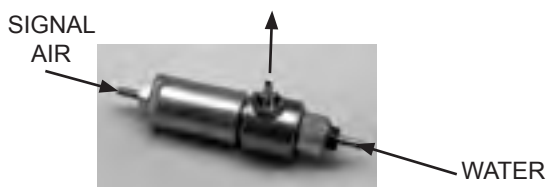
20-12-001



20-12-002

01-12-005 PRESSURE GAUGE ENDURANCE/ADVANCE
SERIES

20-12-001 RECTANGULAR GAUGE
20-12-002 FOR C710 UNIT



WATER RELAY VALVE

- NON RETRACTING
- ORDER BARBS SEPERATELY (SHOWN W/ BARBS)

10-14-358

520-200

BARB FITTING

520-281

FLAT WASHER

EXHAUST MANIFOLD

- ORDER BARBS, PLUGS & O-RING SEPERATELY
(SHOWN WITH BARBS AND PLUGS)

01-03-865

520-200	BARB FITTING FOR 1/8" TUBING
520-202	BARB FITTING FOR 1/4" TUBING
520-251	PLUG
520-281	FLAT WASHER
205-010	O-RING FOR OIL TRAP MUFFLER



OIL TRAP/MUFFLER COMPLETE

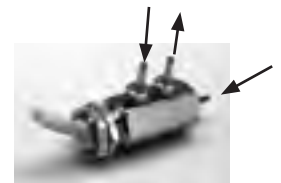
01-04-588

(REPLACE EVERY 3 MONTHS)



2-WAY SELECTOR VALVE

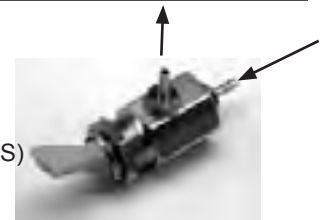
20-02-053	FOR MANUAL 2 HP CONTROL (3 LARGE BARBS) ON MODELS C710, C712, CM102/112/117
20-02-121	FOR MANUAL MODEL CM241/246, AND CT530 CARTS (2 LARGE BARBS AND A 90 DEGREE ELBOW)
20-02-060	CLEAN WATER SYSTEM SELECTOR (3 SMALL BARBS)



Clean Water Selector
(20-02-060 shown)

ON/OFF 3-WAY VALVE

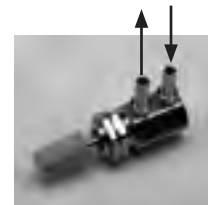
20-02-025	HORIZONTAL TOGGLE ASSEMBLY (MASTER)
20-02-006	VERTICAL TOGGLE ASSEMBLY, ARM BRAKE
20-02-144	ON/OFF 2-WAY VALVE FOR WATER (NON-EXHAUSTING) (2 LARGE BARBS)



Master Switch

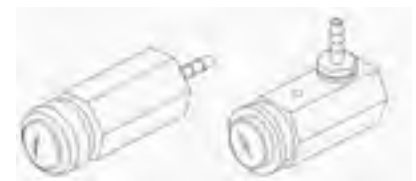
FLOW CONTROL VALVE

40-02-006	W/ LARGE BARBS (USE FOR CUSPIDORS), WITHOUT KNOB
20-02-004	W/ SMALL BARBS (USE FOR HEADS), WITHOUT KNOB
01-04-353	KNOB



ON/OFF INDICATOR VALVE

Z-20-02-062	AIR INDICATOR / 115 SERIES UNITS
20-02-070	AIR INDICATOR / INTERNATIONAL SERIES
20-02-071	WATER INDICATOR / INTERNATIONAL SERIES



Z-20-02-062

20-02-070
20-02-071

CONTROL HEAD & ACCESSORIES



INTERNATIONAL CONTROL HOUSING AND CHASSIS

- MOLDED WHITE PLASTIC HOUSING

NOTE: LIMITED QUANTITIES ON THESE PARTS
CALL FOR AVAILABILITY



Z-01-04-327	4 POSITION HOUSING (without lens cover)
Z-01-04-328	5 POSITION HOUSING (without lens cover)
Z-01-04-329	6 POSITION HOUSING (without lens cover)
Z-01-04-414	PLATE TO COVER UNUSED HOLES
01-04-316	LENS COVER
Z-01-01-094	5 POSITION CHASSIS
Z-01-03-811	SYRINGE WHIP ARM (CANE)
Z-01-03-390	HANDPIECE WHIP ARM (CANE)
Z-01-03-998	HVE WHIP ARM (CANE)
Z-01-08-258	SCREW FOR BACK OF COVER



INSTRUMENT PAD FOR INTERNATIONAL STYLE

01-04-330-1



INSTRUMENT BRACKET FOR INTERNATIONAL STYLE

•USE WITH THE 01-04-327/328/329 COVERS

Z-01-03-394	HANDLE
Z-01-03-490	LEFT SIDE BRACKET
Z-01-03-491	RIGHT SIDE BRACKET
266-252	MOUNTING SCREW



CONTROL HOUSING ASSEMBLY

- MOLDED WHITE PLASTIC
- INCLUDES GAUGE AND INDICATOR LENS

10-04-039	FOR ENDURANCE, CM400 AND OLDER ADVANCE UNITS
01-04-464	FOR UNDER-COUNTER MOUNT (Does not include lens covers - order separately.)
01-04-316	LENS FOR PRESSURE GAUGE
01-04-470	LENS FOR INDICATORS



CONTROL HEAD & ACCESSORIES

CHASSIS, ADVANCE/ENDURANCE SERIES

01-04-466

265-084 MOUNTING SCREW (requires 4)



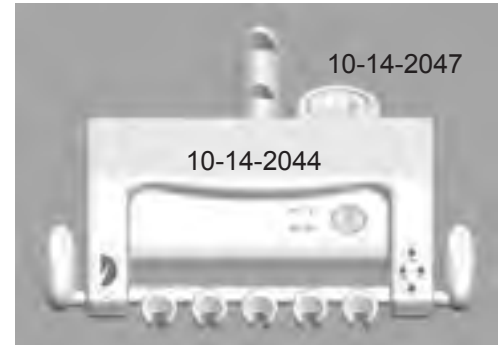
ADVANCE SERIES CONTROL HEAD PARTS

- MOLDED WHITE PLASTIC

10-14-2044 HEAD HOUSING
10-14-2047 SOLIDS COLLECTOR HOUSING
10-14-2048 HANDLE ASSEMBLY WITH BAR



10-14-2048



10-14-2047

10-14-2044

SOLUTION & NEWER ADVANCE SERIES CONTROL HOUSING

700-751

700-769 CHASSIS



SOLUTION SERIES HANDPIECE HANGER

Z-700-752



SOLUTION & NEWER ADVANCE SERIES HANDPIECE
HANGER PAD INTERNATIONAL STYLE

700-753

INSTRUMENT SOFT PADS (NOT SHOWN)

01-05-2001



CONTROL HEAD & ACCESSORIES



HANGER SUPPORT BAR, SOLUTION & NEWER
ADVANCE SERIES

700-780-1 LEFT SIDE
700-780-2 RIGHT SIDE

700-781 SPACER

265-045 MOUNTING SCREW



TOUCH PAD HANGER BAR, SOLUTION SERIES

700-789-1 LEFT SIDE
700-789-2 RIGHT SIDE

700-781 SPACER

265-045 MOUNTING SCREW



HANGER BAR, ENDURANCE SERIES

01-03-495

265-044 MOUNTING SCREW



HANGER BAR FOR ENDURANCE AND
OLDER ADVANCE SERIES

01-03-2099 LEFT SIDE
01-03-2100 RIGHT SIDE

265-044 MOUNTING SCREW



RETURN SPRING

206-014 FOR INTERNATIONAL WHIP ARM
(REPLACES P/N 01-10-037)

AUTOCLAVABLE VACUUM VALVE KIT

- 1 COMPLETE VALVE
- 2 VALVES WITHOUT BASE
- VACUUM BASE PLUG

10-14-251



AUTOCLAVABLE SALIVA EJECTOR VALVE KIT

- 1 COMPLETE VALVE
- 2 VALVES WITHOUT BASE
- VACUUM BASE PLUG

10-14-252



AUTOCLAVABLE CENTRAL VACUUM KIT

- SOLIDS COLLECTOR WITH GROOVES
- 2 AUTOCLAVABLE HVE VALVES WITH 69" SMOOTH TUBING
- AUTOCLAVABLE SE VALVE WITH 69" SMOOTH TUBING
- 5/8" DRAIN LINE
- RING ADAPTER VACUUM HOSE
- FLUSH MOUNT HANGER BAR
- 3 STANDARD HOLDERS
- 2 SCREWS # 6 X 1" LG. PLATED

10-14-020



SOLIDS COLLECTOR WITH GROOVES

- MOLDED GREY PLASTIC
- REMOVABLE SCREEN
- ACCEPTS 2 HVE TUBING 1/2" I.D.
- ACCEPTS 1 SE TUBING 1/4" I.D.
- LID W/ O-RING
- BRACKET VERTICAL MOUNT
- BRACKET HORIZONTAL MOUNT
- 5/8" O.D. DRAIN

30-04-012



SOLIDS COLLECTOR SCREEN

01-04-175

DISPOSABLE SCREENS AVAILABLE FROM:

- PINNACLE - # 5503
- ZIRC - # 658-1360



SOLIDS COLLECTOR LIDS

- MOLDED GREY PLASTIC

Z-01-04-230 PUSH-ON STYLE

205-032 O-RING-II-032
01-04-699 LOCKING STYLE



Z-01-04-230 01-04-699

(See DISTRIBUTION BOX section for more Solids Collector options)

CONTROL HEAD & ACCESSORIES



SMALL CART STAND H-FRAME

- ADJUSTABLE HEIGHT FROM 27" TO 34"
- STABLE CART STAND WITH 4 DUAL-PURPOSE CASTORS WITH BRAKES

10-14-253 FOR USE ON CT510,CT530, CT2300 AND CT2410



LARGE CART STAND

- ADJUSTABLE HEIGHT FROM 27" TO 34"
- STABLE CART STAND WITH 4 DUAL-PURPOSE CASTORS WITH BRAKES

10-14-254 FOR USE ON CT525, AC910, AC960 AND CT2310



WORK SURFACES

- LARGE FORMICA WORKSURFACE
- WHITE FORMICA

01-04-299 FOR USE ON AC910, AC960 AND AW350

01-04-236 FOR USE ON CT525, AW375, CT2310, WM2310, AW375, CAB375, CT525A



CART MOUNTING PLATE

- USED ON CT2310, WM2310, AW375, CAB375, CT525A

01-03-317



CASTORS

- DUO WHEEL
- BLACK

01-04-875 LOCKING CART CASTOR



CARTS, CABINETS AND WALL MOUNTS



STORAGE ORGANIZER ASSEMBLY
 • INCLUDES FRAME AND 4 CONTAINERS

10-14-202 FOR CART AND WALL MOUNTED UNITS
 01-03-254 FRAME ONLY



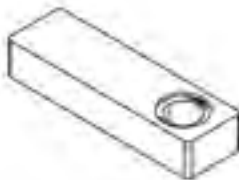
STORAGE ORGANIZER CONTAINER
 • WHITE PLASTIC
 • WITH STORAGE DIVIDERS

10-04-002 COMPLETE
 01-04-080 LID
 01-04-081 HINGE
 01-04-082 HORIZONTAL DIVIDER
 01-04-083 VERTICAL DIVIDER



WALL BOARDS

01-04-057-G FOR USE ON WM310/WM2300
 01-04-016 WALL BOARD ASSY W/ BUMPER AND SCREWS
 01-04-102 FORMICA WALL BOARD



01-04-526 (CART)



01-04-539

01-04-705 (UNIT)

VACUUM CANISTERS

- MOLDED HOUSING WHITE
- ACCEPTS 2 HVE TUBING 1/2" I.D.
- ACCEPTS 1 SE TUBING 1/4" I.D.
- 5/8" O.D. DRAIN
- LOCKING LID (NOT INCLUDED, ORDER SEPARATE)
- REMOVABLE SCREEN (NOT INCLUDED, ORDER SEPARATE)

01-04-526 CT510/CT2300 CARTS WITH 1 NOTCH
 01-04-705 UNITS WITH 2 NOTCHES
 01-04-539 CT525/CT2310 CARTS
 01-04-699 LOCKING LID
 205-032 O-RING-11-32
 01-04-175 REMOVABLE SCREEN
 10-14-2047 ADVANCE UNITS AS OF FEB. 2005

10-14-2047



ULTIMA 2 AND ENDURANCE 1 CHAIRS



10-04-044/10-04-2004

10-04-054

10-04-056

COMPLETE CHAIR UPHOLSTERY KITS

- INCLUDES HEADREST UPHOLESTRY

Z-10-04-044-COLOR
 10-04-2004-COLOR
 10-04-054-COLOR
 10-04-056-COLOR

ULTIMA 2 CHAIR W/ OLD STYLE ARMRESTS(please supply serial #)
 ULTIMA 2 CHAIR W/ NEW STYLE ARMRESTS(please supply serial #)
 ENDURANCE-1 CHAIR (please supply serial #)
 ENDURANCE-1 CHAIR WITH SLINGS (please supply serial #)

ARMREST UPGRADE PACKAGE ULTIMA 2

- POWDER COATED FINISH

10-03-2021-COLOR ARMREST UPGRADE PACKAGE COMPLETE

- INCLUDES ARMRESTS, UPHOLSTERY AND MOUNTING HARDWARE
- PLEASE SPECIFY COLOR



LEG REST APRON

- CLEAR VINYL
- FOR ULTIMA 2 AND ENDURANCE-1 CHAIR

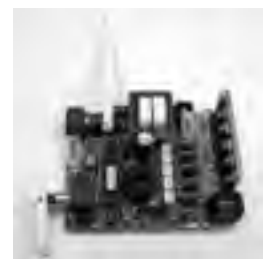
10-04-018



CHAIR CIRCUIT BOARDS

430-001-KIT 110/220V, TOUCH PAD READY ULTIMA 2

430-001-KIT



430-003 110/220V, ENDURANCE-1

430-003



ULTIMA 2 AND ENDURANCE 1 CHAIRS



CONTROL ARM

- LINK FROM U2 CHAIR TO LIFT POTENTIOMETER ON 430-001 CHAIR CIRCUIT BOARD

704-164

204-253 RETAINING CLIPS FOR CONTROL ARM (NOT SHOWN) (2 REQUIRED)



SAFETY MICRO SWITCH

- 3 USED ON U2 CHAIR

01-11-080



ENDURANCE 1

WIRING HARNESS

20-11-028

ENDURANCE-1, 110 VOLT

20-11-029

ENDURANCE-1, 220 VOLT



ULTIMA 2

20-11-015

ULTIMA 2, 110 VOLT

20-11-015-220

ULTIMA 2, 220 VOLT



BACKREST COVER FOR U2 CHAIR

01-04-618



HEADREST COVER FOR U2 CHAIR AND E1 CHAIR

01-04-621



BACKREST COVER FOR ENDURANCE-1 CHAIR

01-04-842

ULTIMA 2 AND ENDURANCE 1 CHAIRS

REPLACEMENT FOOT CONTROL COVER KIT FOR
ULTIMA 2 CHAIR

232-004

01-13-065 BLUE REMOVABLE LOCTITE
RECOMMENDED FOR BASE SCREWS



REPLACEMENT FOOT CONTROL COVER KIT FOR
ENDURANCE-1 CHAIR

232-005

01-13-065 BLUE REMOVABLE LOCTITE
RECOMMENDED FOR BASE SCREWS



CORDED CHAIR FOOT CONTROLS

10-11-042 ENDURANCE-1 CHAIR, 110 VOLT
10-11-057 ENDURANCE-1 CHAIR, 220 VOLT
10-11-042 ULTIMA 2 CHAIR (MUST HAVE 430-001 CHAIR CIRCUIT BOARD)

430-004 CORDED FOOT CONTROL CIRCUIT BOARD



CORDLESS CHAIR FOOT CONTROL

- "A" CHIP NORMALLY SUPPLIED - SPECIFY "B" CHIP FOR A SECOND CHAIR IN THE SAME OPERATORY.

10-11-041 ULTIMA 2 V1.53, 220/110V

10-11-049 ULTIMA 2 V1.60 "A" CHIP, 220/110V
(SPECIFY "B" CHIP IF REQUIRED)

01-11-193 FOOT CONTROL CIRCUIT BOARD V1.53
430-002 FOOT CONTROL CIRCUIT BOARD V1.60A
(SPECIFY "B" CHIP IF REQUIRED)



UPGRADE SPRING KIT FOR ENDURANCE-1 OR ULTIMA2
FOOT CONTROLS

S00-018



ULTIMA 2 AND ENDURANCE 1 CHAIRS

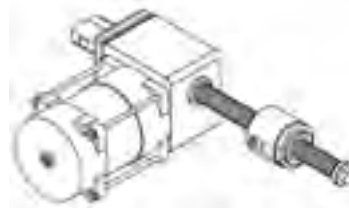


(OBSOLETE, REPLACE WITH HANNING MOTOR & PIVOT)



LIFT MOTOR (SE.BO.DA.) U2

10-11-008 220V
420-002 110V



TILT MOTOR (SE.BO.DA.) U2

Z-10-11-009 220V
Z-10-11-006 110V

- WHEN REPLACING A SEBODA LIFT MOTOR WITH A HANNING MOTOR, A MOTOR PIVOT (01-03-763) IS REQUIRED.

- HANNING MOTORS INSTALLED IN ALL ULTIMA2 CHAIRS WITH S/N 112195 AND HIGHER



LIFT MOTOR (HANNING) U2

10-11-016 220V
10-11-014 110V



TILT MOTOR (HANNING) U2

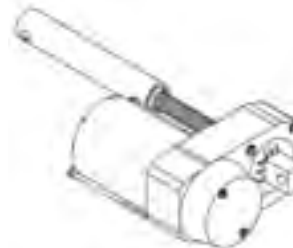
10-11-017 220V
10-11-015 110V

- WHEN REPLACING A SEBODA LIFT MOTOR WITH A HANNING MOTOR, A MOTOR PIVOT (01-03-763) IS REQUIRED AND WIRING IS: BLUE TO BLUE, BROWN TO BLACK, BLACK TO BROWN.



LIFT MOTOR (HUBBELL) E1

10-11-040 220V
10-11-038 110V



TILT MOTOR (HUBBELL) E1

01-11-152 220V
01-11-154 110V



U2 CAPACITORS

420-512 U2 TILT CAP
80 μ F, 110V
420-513 U2 LIFT CAP
60 μ F, 110V
420-515 U2 TILT CAP
14 μ F, 240V
420-514 U2 LIFT CAP
16 μ F, 240V



ENDURANCE-1 CAPACITORS

• 2 REQUIRED

01-11-149 E1, 220V
01-11-150 E1, 110V

ECO 19 CHAIR

SEAT UPHOLSTERY FOR ECO 19

PART #: **ECO19-SEAT-(COLOR)**

BACKREST UPHOLSTERY FOR ECO 19

PART #: **ECO19-BACK-(COLOR)**



COMPLETE UPHOLSTERY SET FOR ECO 19 (WITH MAGNETIC
PILLOW HEADREST)

PART #: **ECO19-UPH-(COLOR)**



COMPLETE UPHOLSTERY SET FOR ECO 19 (WITH DOUBLE
ARTICULATING HEADREST)

PART #: **ECO19-D-UPH-(COLOR)**



HEADREST UPHOLSTERY
FOR DOUBLE ARTICULATING
ECO 19 HEADREST
PART #: **ECO19-HD-(COLOR)**



HEADREST UPHOLSTERY
FOR SINGLE ARTICULATING
ECO 19 HEADREST
PART #: **ECO19-HS-(COLOR)**



PILLOW UPHOLSTERY
FOR ECO 19
PART #:
ECO19-MAG-(COLOR)

ECO 19 DOUBLE ARTICULATING HEADREST
256-051 DOUBLE ARTICULATING HEADREST
BRACKET ONLY

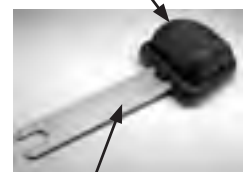
ECO19-HD-(COLOR)



256-051

ECO 19 SINGLE ARTICULATING HEADREST
256-056 SINGLE ARTICULATING HEADREST
BRACKET ONLY

**ECO19-HS-(COLOR)/
ECO19-MAG-(COLOR)**



256-056

*UPHOLSTERY SOLD SEPARATELY

ECO 19 CHAIR



ECO 19 ARMREST

256-048 RIGHT ARM
256-049 LEFT ARM



ECO 19 LEG REST APRON

256-061



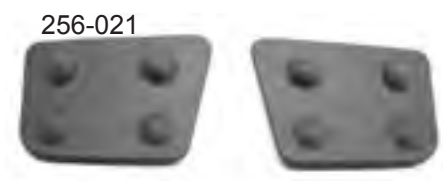
ECO 19 UPHOLSTERY FIXING BUSHING
256-036

ECO 19 UPHOLSTERY FIXING PIN
256-035



ECO 19 MOTOR COVER

256-020



256-021

256-022

ECO 19, CASE FOR CHAIR MOUNTED FOOT CONTROL

256-021 LEFT HAND CASE
256-022 RIGHT HAND CASE

ECO 19, TRENDELENBURG KIT

256-043



ECO 19, BACKREST MECHANICAL HEADREST KIT

256-052



ECO 19, MAIN PC BOARD FOR CHAIR FOOT CONTROLS

256-001 PC BOARD, ECO 19/PROMA,
INCLUDES 4 SPACERS (256-012)



ECO 19 MAIN CHAIR CONTROL PC BOARD

256-000



ECO 19/PROMA, LIFT MOTOR

256-006



ECO 19/PROMA, BACKREST MOTOR

256-007



ECO 19 CHAIR



ECO 19 PUSH BUTTON, BLACK

256-005



ECO 19 MAIN POWER SWITCH

256-004



ECO 19 FUSE

256-009



ECO 19 CHAIR MICROSWITCH

256-003



ECO 19 CLEANING FLUID, 6 OZ

256-099



STOOLS

DOCTOR'S STOOL Z-DRS-020/025 UPHOLSTERY SET
SPECIFY COLOR

Z-01-04-660-COLOR BACKREST
Z-01-04-646-COLOR SEAT (SQUARE)



DOCTOR'S STOOL DRS-010/015 UPHOLSTERY SET
SPECIFY COLOR

01-04-209-COLOR BACKREST
01-04-208-COLOR SEAT



ASSISTANT'S STOOL ATS-050 UPHOLSTERY SET
SPECIFY COLOR

01-04-218-COLOR ABDOMINAL SUPPORT
01-04-208-COLOR SEAT



ASSISTANT'S STOOL ATS-150 UPHOLSTERY SET
SPECIFY COLOR

01-04-2056-COLOR ABDOMINAL SUPPORT
01-04-2066-COLOR SEAT
01-04-2067-COLOR BACKREST



ASSISTANT'S STOOL ATS-250 & DOCTOR'S OP-120 UPHOLSTERY SET
SPECIFY COLOR

01-04-2056-COLOR ABDOMINAL SUPPORT
01-04-2066-COLOR SEAT



OPERATOR'S STOOL OP-110 UPHOLSTERY SET
SPECIFY COLOR

01-04-2067-COLOR BACKREST
01-04-2066-COLOR SEAT



STOOLS



PLUTO BACK REST

PART #: **PLUTO-LB-(COLOR)** LEFT SIDE BACK CUSHION
PART #: **PLUTO-RB-(COLOR)** RIGHT SIDE BACK CUSHION

PLUTO BACKREST SPRINGS KIT

256-090 INCLUDES LEFT (256-091) SPRING AND
RIGHT (256-092) SPRING



PLUTO SEAT UPHOLSTERY

PART #: **PLUTO-SEAT-(COLOR)**



01-04-665

CASTORS FOR STOOLS

- DUO WHEEL
- GREY
- USE WITH ALL STOOL MODELS EXCEPT PLUTO

01-04-665 CASTOR (EACH)



256-070

PLUTO CASTORS

- DUO WHEEL
- USE WITH PLUTO STOOL

256-070 PLUTO CASTOR FOR HARD FLOORING
(SET OF 5)

256-070-1 PLUTO CASTOR, EACH



01-08-178

HAND WHEELS

01-08-178 MOUNTING BACK/BODY SUPPORT
ASSEMBLY TO SEAT BASE
01-08-179 MOUNTING DOCTORS 010 BACK



BODY SUPPORT UPRIGHT ASSEMBLY FOR ATS-050 STOOL

10-03-041

UPPER ABDOMINAL SUPPORT, ATS-150

01-03-2141



LOWER ABDOMINAL SUPPORT, ATS-150

01-03-2138



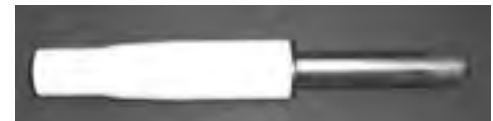
CLAMP ASSY W/ HANDLE, ATS-150

10-03-2070



GAS LIFT CYLINDER

10-03-2064 OPERATOR'S STOOL 13"-18", OP-110/120



10-03-2064

10-03-034 DOCTOR'S 16" - 22" HEIGHT, OP-110-T/120-T AND DRS-010



10-03-034

10-03-040 ASSISTANT'S 25" - 32" HEIGHT



10-03-040

S TOOLS



STOOL FOOT RING

- USE WITH ATS-050, ATS-150, ATS-250

01-03-2151



STOOL BASE

- USE WITH ATS-250, OP-110/120, ATS-150, ATS-050, DRS-010, DRS-020 STOOLS

01-03-2150

LIGHTPOSTS

- 10-03-2035 Advance Series 18" Lightpost for **Dentech** & *Type 1* lights
- 10-03-2036 Advance Series 18" Lightpost for P&C & *Type 2* lights
- 10-14-018 28" Lightpost w/Clamp for **Dentech** & *Type 1* lights
- 10-14-017 28" Lightpost w/Clamp for P&C & *Type 2* lights
- 20-03-023 Lightpost, 48" for P&C & *Type 2* lights
- 20-03-016 Lightpost, 48", **Dentech** & *Type 1* lights
- 20-03-017 Lightpost, 60", **Dentech** & *Type 1* lights
- 20-03-030 Lightpost, 60", P&C & *Type 2* lights



Type 1: Dentech lightpost also fits LSM,DTE,Faro,Forest,Ritter Knight, Proma Dayray,Midmark,Castle and Optima/Duo Lights.

Type 2: P&C lightpost also fits Belmont,Healthco,Adec,Marus,Planmeca,Villa-moon,MDT and DentAmerica Cellux lights.

SURROUND LIGHTPOSTS

- 10-14-2031 On ECO19 Chair for **Dentech** & *Type 1* lights
- 10-14-2017 On ECO19 Chair for P&C & *Type 2* lights
- 10-03-133 On Acutrac Chair for P&C & *Type 2* Lights
- 10-03-134 On Acutrac Chair for **Dentech** & *Type 1* Lights
- 10-03-131 On U2 & Belmont Chairs for **Dentech** & *Type 1* lights
- 10-03-130 On U2 & Belmont Chairs for P&C & *Type 2* Lights



LIGHT POST CLAMP

- WHITE POWDER COATED FINISH
- 2" DIA. POST MOUNTING

20-03-019



LIGHT/UNIT POST BEARING TO ADAPT LIGHT ABOVE THE LIGHT POST

- 01-04-692 FOR P&C and NOTE 1 LIGHTS (SEE ABOVE), I.D. 1.699"
- 01-04-693 FOR DENTECH and NOTE 2 LIGHTS (SEE ABOVE), I.D. 1.375"
- 01-04-001 UNIT POST BUSHING, I.D. 1.500"



LIGHTS



01-11-132



01-11-243



250-010
24V 150W



250-083
12V 50W

REPLACEMENT BULBS

01-11-132	24V - 150W FITS FARO LIGHTS
Z-01-11-243	12V - 55W FITS VILLA & MOONLIGHT
250-010	24V - 150W FITS DENTECH LIGHT (#64640)
250-083	12V - 50W FITS DUO-OPTIMA (#64440)



DENTECH LIGHT SOCKET

250-030



AMBIDEXTROUS DENTECH LIGHT SUPPORT HANDLE

- COMES WITH MOUNTING HARDWARE AND SPRING
- FOR DENTECH LIGHT WITH REMOVABLE HANDLES

250-111



AMBIDEXTROUS DENTECH LIGHT HANDLES

- WORKS FOR BOTH RIGHT AND LEFT HAND HANDLES
- FOR DENTECH LIGHT WITH REMOVABLE HANDLES

250-110 (EACH)



T-SHAPED LIGHT HANDLE

- WORKS FOR BOTH RIGHT AND LEFT HAND HANDLES
- REPLACES REMOVABLE HANDLES

250-112 (EACH)

DENTECH LIGHT TRANSFORMERS

250-002-110 110V TRANSFORMER

250-002-220 220V TRANSFORMER



DENTECH LIGHT WIRING PIG TAIL

250-043



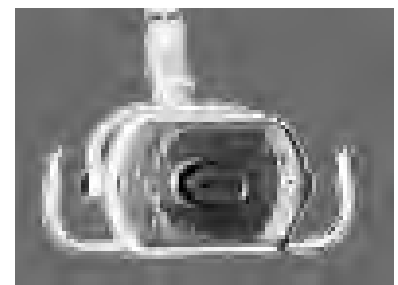
DENTECH LIGHT ARM ASSEMBLY

250-003



DENTECH LIGHT HEAD ASSEMBLY WITH
FIXED HANDLES

250-004



LIGHTS



DENTECH LIGHT (W/REMOVABLE HANDLES) BALANCE
ARM END COVERS

250-027 COVER



DENTECH LIGHT POST BEARING

250-055



DENTECH LIGHT PIVOT COVER

250-019



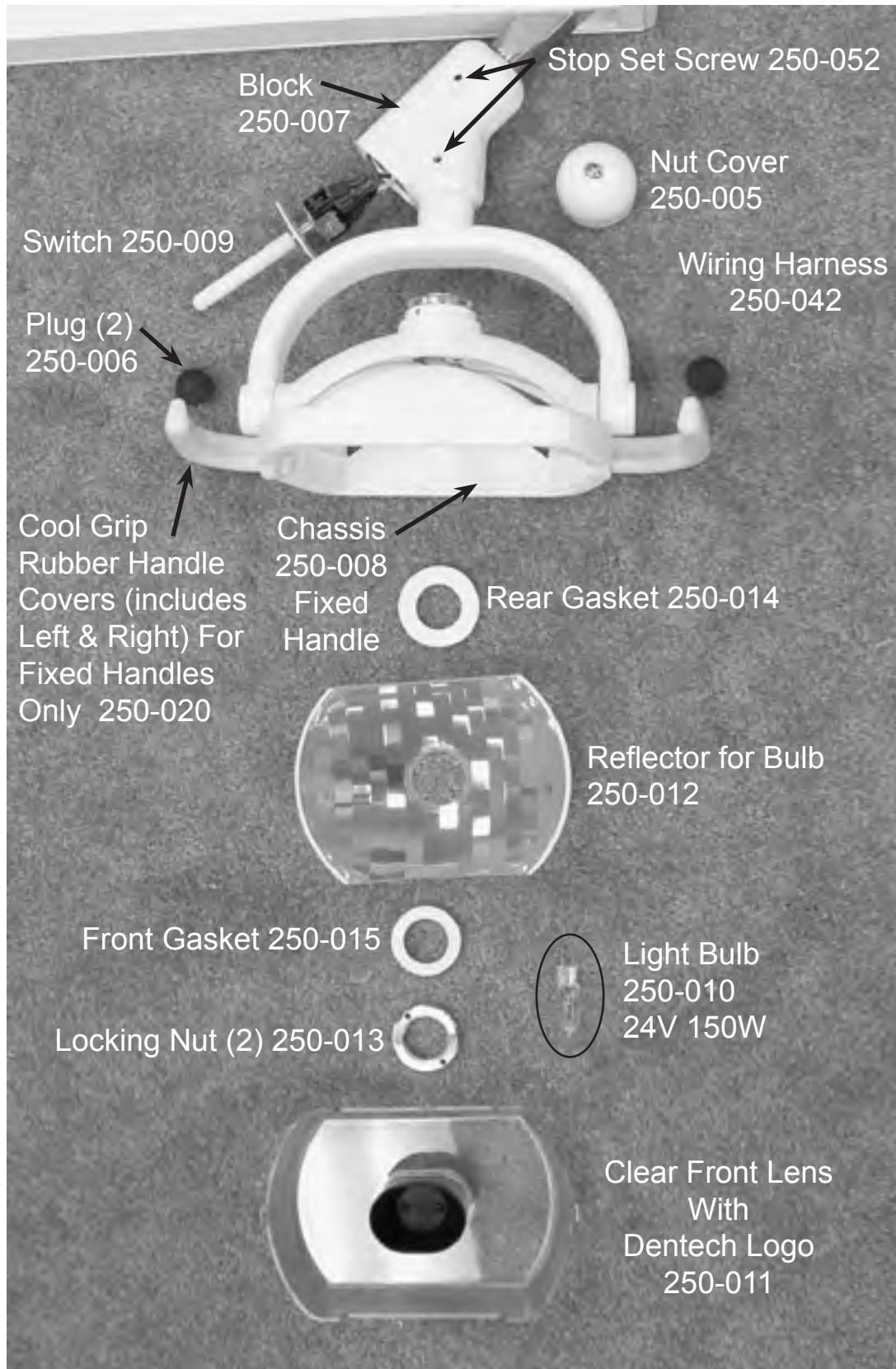
DENTECH LIGHT (OLDER SQUARED TYPE ARM)
HINGE COVERS

250-016 REAR HINGE COVER



250-017 FRONT HINGE COVER

DENTECH LIGHT HEAD (FIXED/REMOVABLE HANDLE)



LIGHTS



FOLDING ARM, POST MOUNTED

- TWO SECTION ARM 38" REACH
- 2" DIA. POST MOUNTED
- WHITE GLOSS FINISH
- ACCEPTS 10-04-001 INSTRUMENT TRAY
- INCLUDES POST MOUNT CLAMP

10-03-2005



FOLDING ARM, WALL MOUNTED

- WHITE GLOSS FINISH
- MOUNTING BRACKET
- ACCEPTS 10-04-001 INSTRUMENT TRAY

10-03-2004

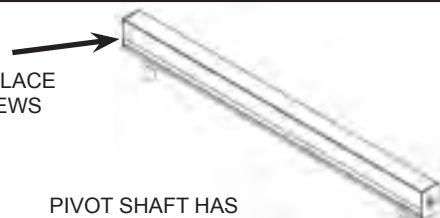


BALANCED SECTION ARM ASSEMBLY

- WHITE GLOSS FINISH
- 29" LENGTH

10-03-003-2

END CAPS HELD IN PLACE
BY 2 FLATHEAD SCREWS



PIVOT SHAFT HAS
3/4" O.D.

BALANCED SECTION ARM ASSEMBLY FOR ENDURANCE UNITS WITH 7/8" O.D. PIVOT SHAFT

10-03-097-2

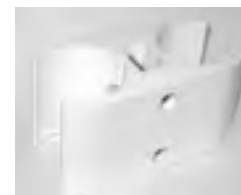
01-03-183 STOP RING FOR CONTROL HEAD END, 180 DEGREES

01-03-184 STOP RING FOR RIGID ARM END, 240 DEGREES

POST MOUNTING CLAMP

- WHITE GLOSS FINISH
- 2" DIA. POST MOUNTING

20-03-019



MOUNTING ADAPTOR

- WHITE GLOSS FINISH
- INSERT FOR POST CLAMP
- USED WITH 10-03-027 TELESCOPING ARM ASSEMBLY

01-03-221



ARM BRAKE

30-03-042

ARM BRAKE ASSEMBLY

40-03-002

ARM BRAKE PISTON KIT

- INCLUDES 1 PISTON, PAD, O-RING & LUBE
- REQUIRES 4 KITS TO REPLACE ALL PISTONS

700-613

INSIDE ARM PAD FOR SOLUTION/ADVANCE
ARMS

01-04-071

INSIDE ARM PAD FOR ENDURANCE AND
OLDER ARMS



*LOCTITE #414 (P/N 01-13-213) ,RECOMMENDED TO
ATTACH PADS.



END CAP, ELLIPTICAL ARM
• USED ON ADVANCE/SOLUTION SERIES

01-04-2020



END CAP, ENDURANCE MOUNTING BRACKET
•USED ON ENDURANCE, WM2300, CAB2300, CM400, AC960, AC960-2, AW350, CT2310, WM2310, CAB2310, AW375, CAB375, CT525A

01-04-604



END CAP

Z-700-609 OLDER ADVANCE/SOLUTION SERIES



END CAP, RIGID ARM

•USED ON 200/300/400 SERIES, CAB/WM2300 SERIES

01-04-605 FOR RIGID ARM



END CAP, GREY BALANCE ARM

•USED ON CM100 SERIES AND OLDER 200/400 SERIES

01-04-005



END CAP, BALANCE ARM

•USED ON 200/300/400 SERIES AND CAB/WM2300

01-04-606 FOR BALANCE ARM

AUTOCLAVABLE STANDARD SYRINGE

- AUTOCLAVABLE SYRINGE WITH AUTOCLAVABLE QUICK DISCONNECT TIP
- FLOW RESTRICTOR

40-02-075 SYRINGE ONLY
 30-02-096 SYRINGE WITH 73" STRAIGHT TUBING



AUTOCLAVABLE STRAIGHT SYRINGE

- AUTOCLAVABLE SYRINGE WITH AUTOCLAVABLE QUICK DISCONNECT TIP
- FLOW RESTRICTOR

40-02-092 SYRINGE ONLY
 30-02-092 SYRINGE WITH 56" STRAIGHT TUBING



STANDARD SYRINGE

- STANDARD SYRINGE WITH AUTOCLAVABLE QUICK DISCONNECT TIP
- FLOW RESTRICTOR

40-02-034 SYRINGE ONLY
 30-02-012 SYRINGE WITH 73" STRAIGHT TUBING



STANDARD STRAIGHT SYRINGE

- STANDARD SYRINGE WITH AUTOCLAVABLE QUICK DISCONNECT TIP
- FLOW RESTRICTOR

40-02-039 SYRINGE ONLY
 Z-30-02-043 SYRINGE WITH 56" STRAIGHT TUBING



STANDARD CIRCULATING SYRINGE

- STANDARD SYRINGE WITH AUTOCLAVABLE QUICK DISCONNECT TIP
- FLOW RESTRICTOR

40-02-040 SYRINGE ONLY
 30-02-048 SYRINGE WITH 73" STRAIGHT TUBING



STANDARD STRAIGHT CIRCULATING SYRINGE

- STANDARD SYRINGE WITH AUTOCLAVABLE QUICK DISCONNECT TIP
- FLOW RESTRICTOR

40-02-055 SYRINGE ONLY
 30-02-108 SYRINGE WITH 73" STRAIGHT TUBING



STANDARD AIR ONLY SYRINGE

- STANDARD AIR SYRINGE WITH AUTOCLAVABLE QUICK DISCONNECT TIP

550-002 SYRINGE WITH TUBING



SYRINGES



UNIVERSAL SYRINGE REPAIR KIT

- 2X 205-003 O-RING-11-003
- 2X 205-006 O-RING-11-006
- 2X 205-008 O-RING-11-008
- 2X 250-602 O-RING-SPECIAL-SPOOL
- 2X 250-603 O-RING-SPECIAL-STEM
- 1X 250-611 O-RING-SPECIAL-ADAPTOR
- 2X 206-010 CONICAL SPRING
- 1X 01-10-044 SPRING, QUICK DISCONNECT TIP
- 2X 01-08-202 E-CLIP
- 1X 159-001 O-LUBE BLISTER PACK
- 2X 01-02-068 SCHRAEDER VALVE

40-02-028



MK-I SYRINGE REPAIR KIT

- 2X 50-02-003 SYRINGE BUTTON
- 1X 01-03-275 SYRINGE TOOL
- 1X 159-001 O-LUBE BLISTER PACK

40-02-021



AUTOCLAVABLE TIP KIT

- CONVERTS SYRINGES WITH NON-AUTOCLAVABLE TIPS

40-02-042



AUTOCLAVABLE SYRINGE TIPS

01-03-233 SYRINGE TIP



ACTIVATING LEVERS FOR SYRINGES

01-04-377 RIGHT HAND SIDE LEVER
01-04-378 LEFT HAND SIDE LEVER

50-02-003 MK-I SYRINGE BUTTON ASSY,
FOR THE FOREST 3 SYRINGE
THREADED IN



50-02-007 MK II SYRINGE BUTTON ASSY,
FOR THE DCI SYRINGE SCHRADER VALVE
STYLE (PRIOR TO 1996)
PRESS IN



50-02-009 SYRINGE BUTTON ASSY FOR LEVER
SYRINGES
FOR THE DCI LEVER SYRINGE



50-02-015 SYRINGE BUTTON ASSY, STANDARD
SYRINGES, CARTRIDGE TYPE
FOR THE DCI CURRENT STANDARD SYRINGE
CROSS PIN



250-966 MK II SYRINGE BUTTON ASSY,
FOR THE DCI SYRINGE SCHRADER VALVE
AUTOCLAVABLE
PRESS IN



SYRINGES

NOTES:



FOOT CONTROL STANDARD

- VALVE CAN BE ACTIVATED BY PRESSING ANY POINT AROUND COVER
- CHROME PLATED COVER
- GREY FINISH BASE
- WITH 9' TUBING

20-02-056



FOOT CONTROL WITH HANDPIECE PURGE FEATURES

- VALVE CAN BE ACTIVATED BY PRESSING ANY POINT AROUND COVER
- CHROME PLATED COVER
- GREY FINISH BASE
- WITH 9' TUBING
- PUSH BUTTON VALVE FOR CHIP BLOWER

20-02-016



FOOT CONTROL WITH WET/DRY FEATURES

- VALVE CAN BE ACTIVATED BY PRESSING ANY POINT AROUND COVER
- CHROME PLATED COVER
- GREY FINISH BASE
- WITH 9' TUBING
- ON/OFF TOGGLE FOR COOLANT WATER

20-02-123



FOOT CONTROL WITH HANDPIECE PURGE AND WATER ON/OFF

- VALVE CAN BE ACTIVATED BY PRESSING ANY POINT AROUND COVER
- CHROME PLATED COVER
- GREY FINISH BASE
- WITH 9' TUBING
- PUSH BUTTON VALVE FOR CHIP BLOWER
- ON/OFF TOGGLE FOR COOLANT WATER

20-02-068



FOOT CONTROL DOME

- CHROME PLATED

01-03-239



FOOT CONTROL DOME RETAINING RING

IF YOU ARE REPLACING A BLACK RING YOU WILL NEED TO ORDER THE ABOVE DOME

01-04-172



01-08-352 MOUNTING SCREW (4 REQUIRED)

FOOT CONTROLS



REPAIR KIT MAIN VALVE FOOT CONTROL MRK I
FOR USE IN THE FOREST FOOT CONTROL (HAS 3 SCREWS IN
THE BASE TO SECURE THE MAIN VALVE)

- PLUNGER
- POPPET
- O-RINGS
- SPRINGS

40-02-018



REPAIR KIT FOOT CONTROL MRK II
(MRK II HAS 2 SCREWS IN BASE TO SECURE MAIN VALVE)

- 1X 159-001 O-LUBE BLISTER PACK
- 2X 205-008 O-RING-II-008
- 2X 205-010 O-RING-II-010
- 1X 205-014 O-RING-II-014
- 1X 206-007 SPRING, F/C VALVE
- 2X 206-011 SPRING, F/C VALVE, WET/DRY
- 1X 01-08-157 RETAINING CLIP
- 1X 01-10-015 SPRING FOOT CONTROL DOME
- 1X 40-02-012 PISTON ASSY
- 2X 01-02-2000 SPACER F/C VALVE
- 1X 01-02-2001 PLUNGER, VALVE
- 1X 01-02-2002 BODY VALVE

40-02-041



WATER TOGGLE

- GREY PLASTIC

01-04-2044 (REPLACES 01-04-321)



WATER TOGGLE ASSEMBLY, COMPLETE

- USE WITH OLDER FOOT CONTROL SHROUD

40-02-057 OLDER STYLE (PRE APRIL 2003)



BUTTON VALVE ASSEMBLY, COMPLETE

- USE WITH OLDER FOOT CONTROL SHROUD

40-02-078 OLDER STYLE (PRE APRIL 2003)

BUTTON VALVE ASSEMBLY, COMPLETE NEW STYLE (POST APRIL 2003)

TO USE NEW STYLE BUTTON VALVE ON OLD STYLE FOOT CONTROL, SHROUD NEEDS TO BE REPLACED WITH 01-04-2047 SHROUD

- 1X 01-04-2047 SHROUD
- 1X 01-02-108 BUTTON
- 1X 202-630 DOWEL PIN
- 1X 40-02-024 VALVE ASSY
- 1X 261-222 SET SCREW (TO SECURE VALVE)

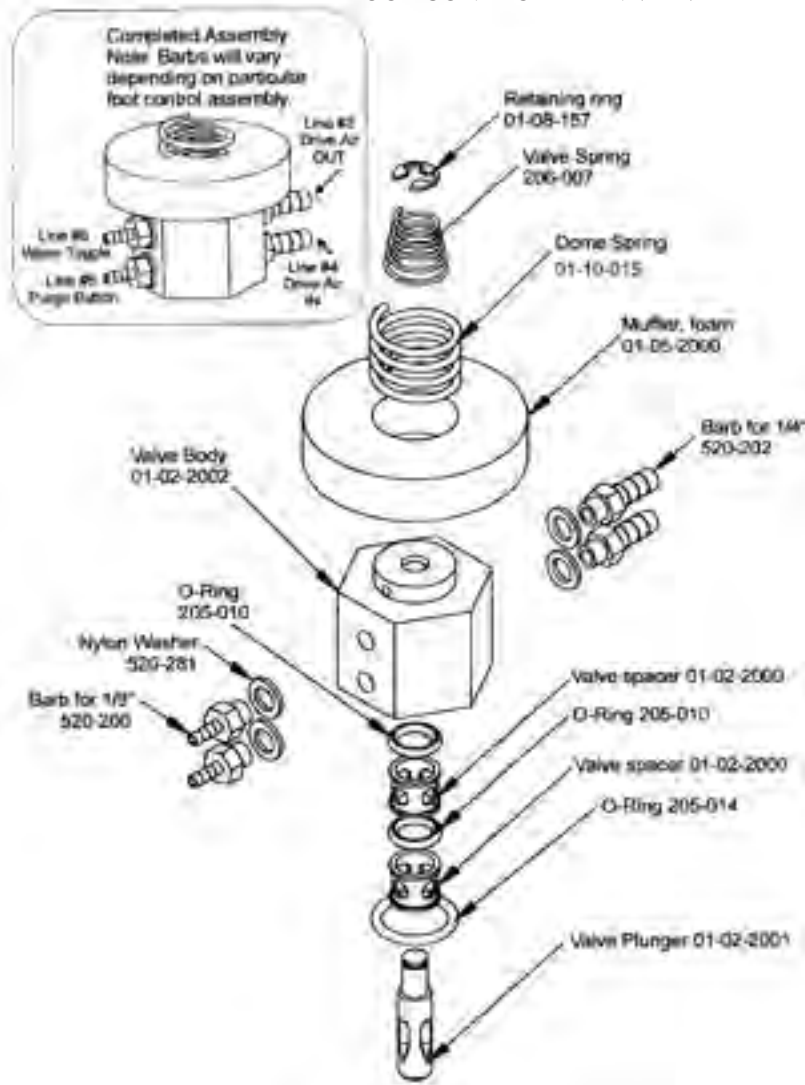
WATER TOGGLE ASSEMBLY, COMPLETE NEW STYLE (AFTER APRIL 2003)

TO USE NEW STYLE WATER TOGGLE ON OLD STYLE FOOT CONTROL, SHROUD NEEDS TO BE REPLACED WITH 01-04-2047 SHROUD

- 1X 01-04-2044 TOGGLE
- 1X 202-630 DOWEL PIN
- 1X 40-02-024 VALVE ASSY
- 1X 261-222 SET SCREW (TO SECURE VALVE)
- 1X 230-070 BLUE PLUG



FOOT CONTROL MAIN VALVE BREAKOUT DRAWING



FOOT CONTROLS

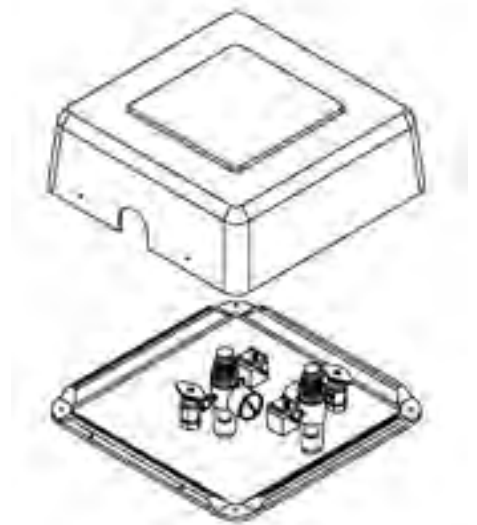


COMPLETE UTILITY CENTER

- MOLDED WHITE PLASTIC WITH REMOVABLE COVER
- COMBINATION AIR AND WATER FILTER / REGULATOR
- AUTOMATIC AIR AND WATER SHUT-OFF
- MOUNTS ON FLOOR

10-14-003 SMALL UMBILICAL ADAPTOR
(CARTS/WALL MOUNTED UNIT)

10-14-347 LARGE UMBILICAL ADAPTOR
(OVER THE PATIENT UNITS)



UTILITY CENTER HOUSING

- MOULDED WHITE PLASTIC WITH REMOVABLE COVER
- 15 3/4" X 15 3/4"

20-14-038 SMALL UMBILICAL ADAPTOR
(CARTS/WALL MOUNTED UNIT)

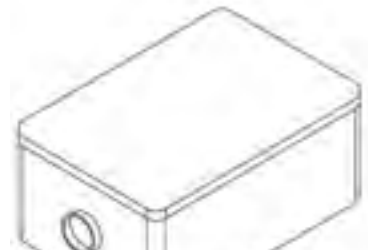
20-14-039 LARGE UMBILICAL ADAPTOR
(OVER THE PATIENT UNITS)



STAINLESS STEEL UTILITY CENTER HOUSING COVER

01-04-016 COVER ONLY, WHITE

(STAINLESS STEEL HOUSING NOT AVAILABLE)



STANDARD UTILITY PACK (NORGREN)

- COMBINATION AIR AND WATER FILTER / REGULATOR
- AUTOMATIC AIR AND WATER SHUT-OFF

10-14-010 FOR USE WITH CART / WALL MOUNTS
 10-14-012 FOR USE WITH CUSPIDOR & CHAIR MOUNTS
 10-14-212 WATER REGULATOR ONLY ASSY W/ GAUGE
 AND SHUT OFF BLOCK
 10-14-213 AIR REGULATOR ASSY ONLY W/ GAUGE
 AND SHUT OFF BLOCK



UTILITY BOXES AND REGULATORS



30-02-007

30-02-005

WATER AND AIR FILTER / REGULATORS (NORGREN)

- 30-02-005 WATER FILTER/REGULATOR COMBINATION
- 30-02-007 AIR FILTER/REGULATOR COMBINATION



FILTER ELEMENTS (NORGREN)

- 01-04-191 WATER FILTER ELEMENT
- 01-04-192 AIR FILTER ELEMENT



01-04-204 01-04-206

REGULATOR BOWLS

- 01-04-204 WATER BOWL, INCLUDES O-RING
- 01-04-206 AIR BOWL, INCLUDES O-RING



PRESSURE GAUGE

- CENTER BACK-MOUNTED

- 01-12-002 AIR GAUGE 0-160 psi
- 01-12-004 WATER GAUGE 0-60 psi



30-02-006 30-02-008

SHUT-OFF BLOCKS

- 30-02-006 AIR AUTOMATIC SHUT OFF
- 30-02-008 WATER AUTOMATIC SHUT OFF



PRE-INSTALLATION KIT

- MANUAL SHUT-OFF VALVE FOR PRE-INSTALLATION OF DENTECH UTILITY CENTERS, USED FOR SHUTTING OFF AIR AND WATER AT SOURCE DURING INSTALLATION OR REPAIR, INLET: 1/2"NPT, OUTLET 3/8" O.D.
- PART NUMBER IS FOR ONE SHUT-OFF

01-02-053

REPAIR KIT FOR SHUT-OFF BLOCKS

- 1X 01-04-018 VALVE SEAT
- 1X 40-02-069 POPPET VALVE WITH O-RING-II-006
- 1X 206-004 SPRING
- 1X 01-05-002 DIAPHRAGM
- 1X 159-001 O-LUBE BLISTER PACK

40-02-002



REPAIR KIT FOR AIR REGULATOR

- 1X 01-05-028 DIAPHRAGM AIR
- 1X 01-04-199 SLIP RING
- 1X 205-024 O-RING-11-024
- 1X 01-04-018 VALVE SEAT
- 1X 01-02-020 VALVE
- 1X 159-001 O-LUBE BLISTER PACK

40-02-037



REPAIR KIT FOR WATER REGULATOR

- 1X 01-05-026 DIAPHRAGM WATER
- 1X 01-04-199 SLIP RING
- 1X 205-024 O-RING-11-024
- 1X 01-04-018 VALVE SEAT
- 1X 01-02-020 VALVE
- 1X 159-001 O-LUBE BLISTER PACK

40-02-038



MOUNTING BRACKET & RING FOR REGULATORS

• DOES NOT INCLUDE SCREWS

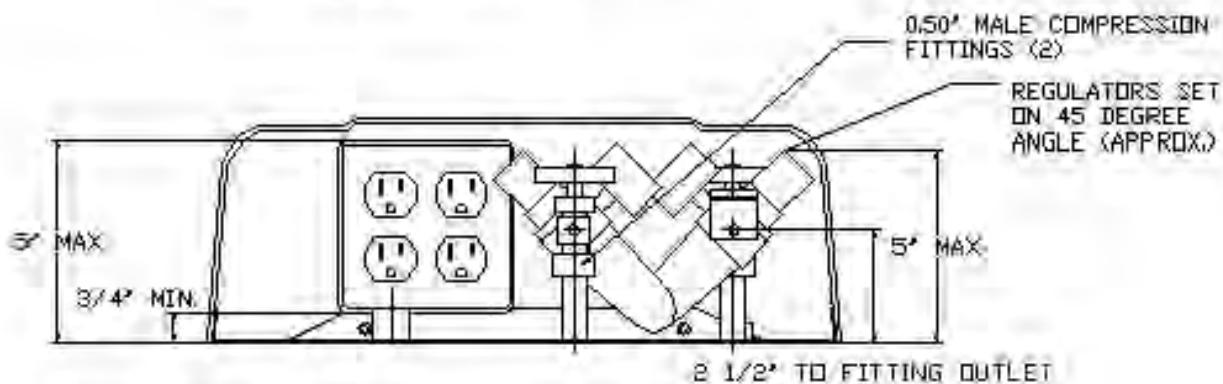
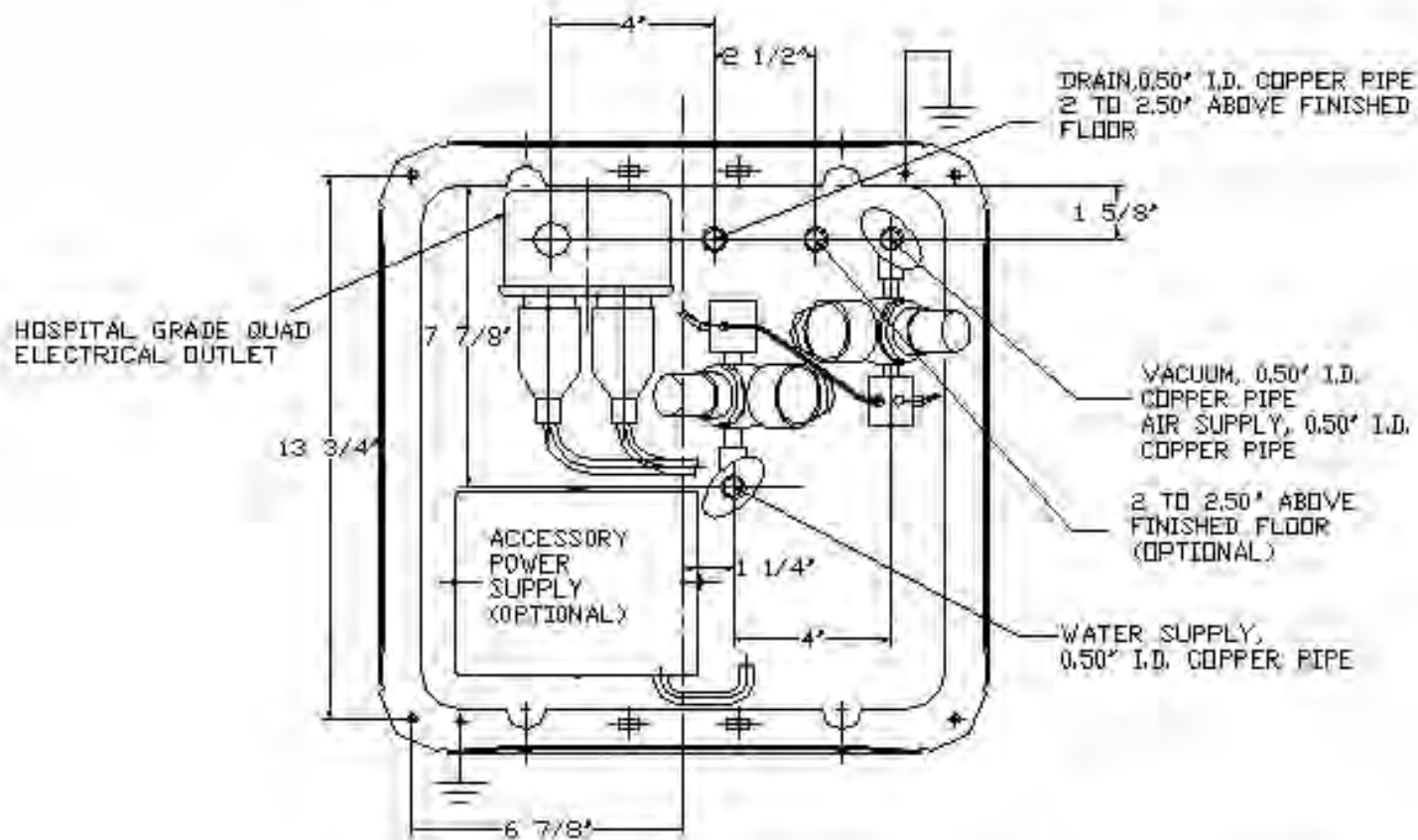
Z-01-03-579 BRACKET

266-265 MOUNTING SCREWS

Z-540-010 MOUNTING RING ONLY



UTILITY CENTER SPECIFICATIONS



CLEAN WATER SYSTEMS



30-04-024-KIT CLEAN WATER SYSTEM STANDARD
 • INCLUDES TWO 750 ML BOTTLES, MOUNTING HARDWARE, AND ADJUSTABLE PRESSURE REGULATOR.

30-04-025-KIT CLEAN WATER SYSTEM DELUXE
 • INCLUDES ALL OF THE ABOVE, PLUS PRESSURE INDICATOR GAUGE AND TOGGLE VALVE FOR SELECTING CLEAN OR CITY WATER ON DEMAND.

30-04-034 CLEAN WATER SYSTEM CART MOUNTED
 • INCLUDES TWO 750 ML BOTTLES, MOUNTING HARDWARE, AND ADJUSTABLE PRESSURE REGULATOR.

10-03-2072 ADVANCE POST MOUNTED CLEAN WATER
 • INCLUDES TWO 750 ML BOTTLES, MOUNTING HARDWARE, AND ADJUSTABLE PRESSURE REGULATOR.

CLEAN WATER SYSTEM BOTTLE CAPS



CAP FOR CARTS

01-04-524



ADVANCE/SOLUTION SERIES CAP

700-364



CAP FOR POST MOUNT & NEW ADVANCE CARTS CLEAN WATER SYSTEM

01-04-268



WHITE HEAVY DUTY WATER BOTTLE 750 ML

250-200



BOTTLE CAP WASHER FOR CLEAN WATER SYSTEM

01-04-277

NOTE:
 WHEN REPLACING WATER BOTTLES, TURN BOTTLE UNTIL FINGER TIGHT, THEN TURN 1/4 TURN MORE. DO NOT OVERTIGHTEN OR THE THREADS ON BOTTLE TOP WILL STRIP.

CLEAN WATER



PRESSURE REGULATOR FOR CLEAN WATER

20-02-059 REGULATOR COMPLETE

01-04-541 KNOB (NOT SHOWN)



CLEAN/CITY WATER SELECTOR VALVE

20-02-060



PRESSURE GAUGE FOR CLEAN WATER

01-12-004



MOUNTING BRACKET FOR CLEAN WATER

01-01-085 .500" MOUNTING BRACKET

230-053 HOLE PLUG, 1/2" O.D.



CLAMP FOR CLEAN WATER

01-04-279 CLAMP

265-084 MOUNTING SCREWS



T RAYS

INSTRUMENT TRAY, STAINLESS STEEL

- 9 3/4" X 11 1/2"

01-01-022

01-01-173 BIGGER TRAY, 13" X 21"



INSTRUMENT TRAY MINI

- 6 3/4" X 9 3/4"
- WHITE PLASTIC

01-04-248

FOR ARM MOUNTING

- 01-01-182 TRAY HOLDER
- 01-03-150 ADAPTER
- 265-855 SCREW (2 REQUIRED)
- (DRILL MOUNTING HOLES IF REQUIRED)



ANTI-SKID PAD

01-04-549



UTILITY TRAY CART MOUNTED

- 10" X 10" WHITE GLOSS FINISH
- CART MOUNTED

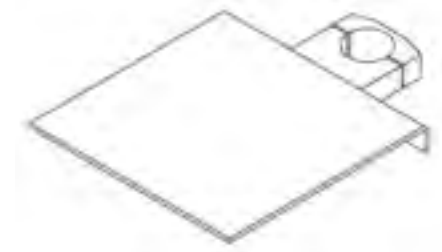
10-14-201



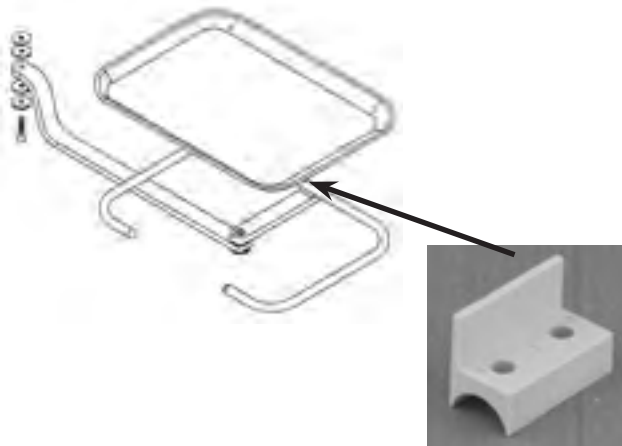
UTILITY TRAY POST MOUNTED

- 10" X 10" WHITE GLOSS FINISH
- 2" POST MOUNTED

10-14-016



T TRAYS



INSTRUMENT TRAY WITH MOUNTING ARM

- STAINLESS STEEL TRAY 9 3/4" X 11 1/2"
- WHITE GLOSS FINISH ON ARM
- MOUNTING BRACKET

10-03-059 INTERNATIONAL STYLE ARM

10-03-049 DUO CART INSTRUMENT TRAY
C/W STRAIGHT ARM

01-04-538 TRAY SUPPORT BRACKET ONLY



INSTRUMENT TRAY WITH MOUNTING BRACKET

- MOLDED PLASTIC TRAY 10 1/2" X 14 1/2"
- WHITE TEXTURE FINISH
- MOUNTING BRACKET
- CAN BE USED WITH FOLDING ARM 10-03-2005, WALL OR POST MOUNT ARM

10-04-001



INSTRUMENT TRAY ONLY, MOLDED PLASTIC

- 10 1/2" X 14 1/2"
- WHITE TEXTURE FINISH
- DOES NOT INCLUDE MOUNTING BRACKET

01-04-015

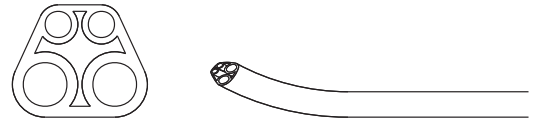
(THUMB SCREWS NOT AVAILABLE, SIZE 10-24 X 3/4")

TUBINGS AND FITTINGS

FOOT CONTROL TUBING, ASEPTIC STYLE

- 4-HOLE GREY
- PER FOOT

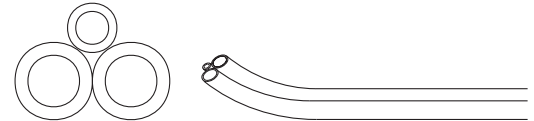
510-615



FOOT CONTROL TUBING, ASEPTIC STYLE

- 3-HOLE GREY
- PER FOOT

510-610



FOOT CONTROL TUBING, ASEPTIC STYLE

- 2-HOLE GREY
- PER FOOT

510-600



SYRINGE TUBING, ASEPTIC STYLE

- 2-HOLE STRAIGHT
- PER FOOT

510-565



SYRINGE TUBING, ASEPTIC STYLE

- 2-HOLE COILED

01-07-040



SYRINGE TUBING, ASEPTIC STYLE

- 3-HOLE STRAIGHT
- PER FOOT

510-575



HANDPIECE TUBING, ASEPTIC STYLE

- 4-HOLE STRAIGHT
- PER FOOT

510-588



SYRINGE TUBING, HEATED

- 3-HOLE STRAIGHT
- PER FOOT

Z-01-07-025 TUBING ONLY



TUBINGS AND FITTINGS



HANDPIECE TUBING, ASEPTIC STYLE

- 4-HOLE COILED
- EACH

01-07-041



TERMINAL 4-HOLE MIDWEST

Z-01-04-052 ADAPTOR
Z-01-03-060 NUT



TERMINAL 3-HOLE BORDEN

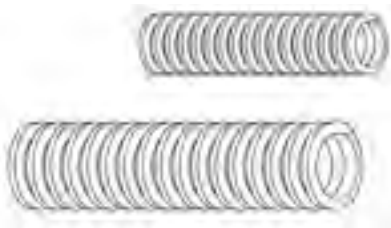
Z-01-04-053 ADAPTOR
Z-01-03-320 NUT



SMOOTH VACUUM TUBING

- PER FOOT

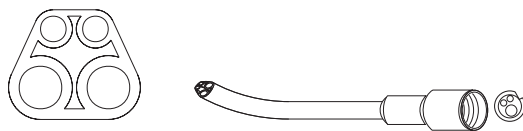
510-635 1/4" I.D. GREY, SE
510-625 1/2" I.D. GREY, HVE
01-07-080 1/2" I.D. HEAVY DUTY DRAINLINE
FOR HYGIENE UNIT



CORREGATED FLEX TUBING

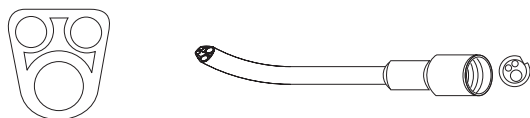
- PER FOOT

510-651 5/8" I.D. GREY - DRAIN
510-653 1" I.D. GREY
510-655 1 1/2" I.D. GREY - CARTS
510-656 1 3/4" I.D. GREY - UNITS
510-657 2" I.D. GREY



HANDPIECE TUBING, ASEPTIC STYLE

10-07-003 5' 4-HOLE STRAIGHT WITH MIDWEST
TERMINAL
10-07-005 7' 4-HOLE STRAIGHT WITH MIDWEST
TERMINAL
10-07-007 10' 4-HOLE STRAIGHT WITH MIDWEST
TERMINAL



HANDPIECE TUBING, ASEPTIC STYLE

10-07-004 5' 3-HOLE STRAIGHT WITH BORDEN
TERMINAL
10-07-006 7' 3-HOLE STRAIGHT WITH BORDEN
TERMINAL
10-07-008 10' 3-HOLE STRAIGHT WITH BORDEN
TERMINAL

TUBINGS AND FITTINGS



NYLON WASHER
 • FOR 10-32 FITTINGS

520-281



PLASTIC SECURING SLEEVES
 • FOR 1/8" O.D. TUBING

520-270



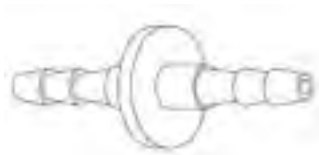
PLASTIC SECURING SLEEVES
 • FOR 1/4" O.D. TUBING

520-271



TOOL FOR SECURING SLEEVES

01-03-2192



BARB TO BARB

01-09-005 1/8" PLATED
 01-09-064 1/4" PLATED
 01-09-019 1/8" X 1/4" NYLON REDUCING CONNECTOR



PLASTIC BARB TEE

01-09-014 FOR 1/8" TUBING
 01-09-061 FOR 1/4" TUBING



PLASTIC BARB ELBOW

01-09-036 1/8" X 10-32
 01-09-063 1/4" X 10-32



PLUG

520-251 10-32NF THREAD SIZE



1/4" COMPRESSION TEE

Z-01-09-011

TUBINGS AND FITTINGS

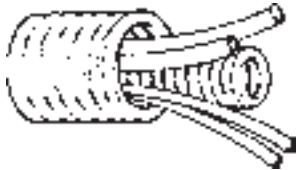


POLYURETHANE SUPPLY TUBING

- PER FOOT



510-501	1/8" I.D. CLEAR
510-502	1/8" I.D. RED
510-504	1/8" I.D. BLUE
510-507	1/8" I.D. PURPLE
510-505	1/8" I.D. YELLOW
510-523	1/4" I.D. BLUE
510-521	1/4" I.D. RED



CUSTOM UMBILICALS

- CUSTOM UMBILICALS BUILT TO YOUR SPECIFICATIONS.
- PER FOOT.
- PLEASE SUPPLY UNIT MODEL NUMBER.

01-07-007-ASST	LOWER UMBILICAL
01-07-007-CARTS	FOR CART MODELS
01-07-007-C/BARM	UPPER UMBILICAL



POWER OPTIC HANDPIECE TUBING, 5-HOLE

- 5' STRAIGHT GREY

10-07-054	FOR BIEN-AIR MODELS (INCLUDES BULB)
250-428	FOR STANDARD MODELS (BULB NOT INCLUDED)
250-429	BULB FOR 250-428 TUBING ONLY



POWER OPTIC HANDPIECE TUBING, 6 PIN

- 5 FOOT STRAIGHT GREY.
- ISO 6-PIN STYLE. USE IF P.O. BULB IS IN HANDPIECE.

10-07-060	FOR BIEN-AIR MODELS
10-07-060-V	VICON TUBING



HEX NIPPLE

- 1/8"

01-09-008



UNION CONNECTOR

- 1/4" X 1/4"

01-09-009



TUBINGS AND FITTINGS

POLY TUBE COMPRESSION

- 1/4" X 3/8" O.D

01-09-023

REDUCING ADAPTER 3/8" TO 1/4"



COMPRESSION TUBE

- 1/8" X 3/8" O.D

01-02-016



COMPRESSION FITTING

- 1/4" X 1/8"

01-09-012



QUICK CONNECT

- FEMALE

01-09-010



QUICK CONNECT INSERT

- MALE

01-09-031



IN-LINE QUICK DISCONNECT, MALE

- 1/16"

Z-01-09-020



POLY NUT AND SLEEVE FOR COMPRESSION FITTING

- 1/4"

01-09-015



REDUCING COUPLING 1/8" TO 1/4" PLATED BARB

- FOR 1/8" TUBING TO 1/4" TUBING

20-02-133



1/8" PLATED BARB

- FOR 1/4" O.D. TUBING

520-202



1/16" PLATED BARB

- FOR 1/8" O.D. TUBING

520-200



TUBINGS AND FITTINGS



TOOL FOR SECURING SLEEVES

01-03-2192



O-RING KIT

- CONTAINS 270 O-RINGS IN 27 POPULAR SIZES

40-02-081



O-RING LUBE BLISTER PACK

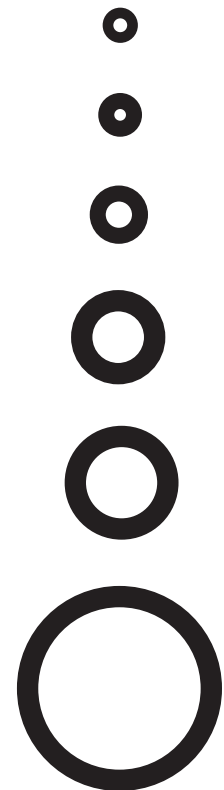
159-001



O-RINGS

- "S" STAND FOR AUTOCLAVABLE
- EACH SOLD SEPERATELY

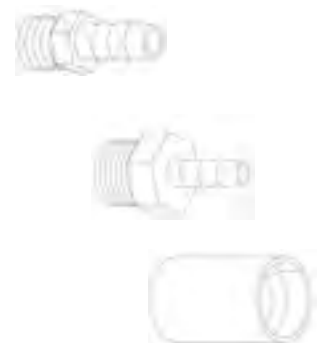
205-001	001 SIZE
205-002	002
205-003	003
205-004	004
205-006	006
205-008	008
205-011	011
205-512	012-S
205-513	013-S
205-514	014-S
205-016	016
205-023	023
205-024	024
205-030	030
205-032	032
205-033	033
205-601	101-S
205-108	108
205-226	226
205-227	227
205-117	117
205-611	32250
205-603	4070
205-602	40180



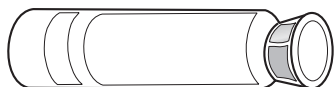
BARB FITTING KIT

- CONTAINS 5 DIFFERENT FITTINGS, QTY 10 EACH
- PLASTIC SLEEVES 1/8"
- PLASTIC SLEEVES 1/4"
- 1/8" PLATED BARB
- 1/16" PLATED BARB
- PLASTIC WASHERS

40-02-079



SERVICE ITEMS



TOUCH UP PAINT

PART #: **PAINT** GLOSS WHITE



SUPER LUBE

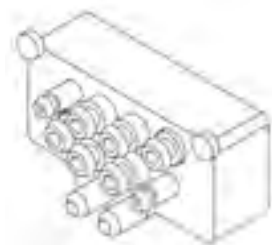
- USED AS LUBRICANT FOR O-RING
- 2 OZ.

01-13-219



SHUTTLE VALVE

30-03-023



QUICK CONNECT BLOCK

- FOR USE WITH MULTI-FUNCTION BLOCK
- COMES IN WHITE. BLACK NO LONGER AVAILABLE

20-04-015



FLOW CONTROL KNOB

01-04-483	LONG D-SHAPE GREY (COOLANT AIR)
01-04-353	SHORT D-SHAPE GREY (WATER FLOW)
Z-01-04-010	SHORT ROUND GREY, SQUARE INSIDE
01-04-541	POTENTIOMETER GREY, SET SCREW ON SIDE (CLEAN WATER)

CHECK VALVE

01-02-055



FLOW RESTRICTOR

10-04-013 1/8"
20-04-010 1/4"



HANDPIECE AIR BLEED KIT

- 1X 01-09-066 MINIATURE LINE RESTRICTOR

40-02-070



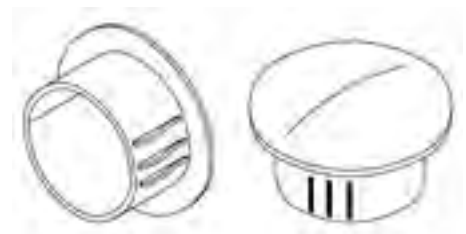
GROMMET BLACK RUBBER

01-05-004 2 7/8" O.D. X 7/16" - 1/16" GROOVE
01-05-005 2 1/8" O.D. X 7/16" - 1/16" GROOVE
Z-01-05-015 1 3/8" O.D. X 3/8" - 1/16" GROOVE



PLUGS HEYCO WHITE

230-054 .375" HOLE DIAMETER
Z-01-04-750 1 1/2"
230-053 .500"
230-055 .187"
230-057 .562"
230-056 1.093"
230-051 2.00"
01-04-515 PLUG MODIFIED
230-060 1.00"
01-04-062 FLUSH MOUNT PANEL PLUG



TOGGLES

01-04-036 MOMENTARY GREY
01-04-014 ON / OFF GREY

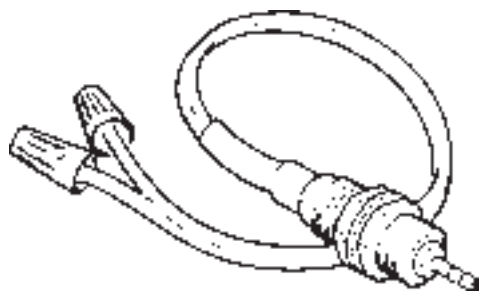


SERVICE ITEMS



BULBS

- Z-01-11-051 DEMETRON LIGHT CURE/OPERATORY LIGHT
- 01-11-065-B POWER OPTIC LIGHT, BLACK - MIDWEST
- 01-11-066 ISO ADAPTOR FOR FIBER OPTICS
- 250-421 POWER OPTIC FOR BIEN-AIR
- 250-429 POWER OPTIC FOR 250-428 TUBING ONLY

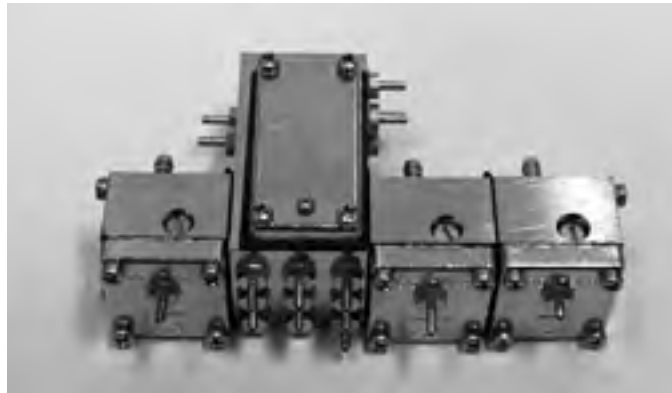


AIR ACTIVATED ELECTRIC SWITCH

- 20-11-001 NORMALLY OPEN
- 20-11-002 NORMALLY CLOSED

RETROFIT NOTE:

IF YOU HAVE THE OLD MULTIFUNCTION BLOCK
(SHOWN BELOW)



REPLACE WITH

MULTIFUNCTION BLOCK RETROFIT KIT

- TO REPLACE MULTIFUNCTION BLOCK SYSTEM

- INCLUDES:

- INSTRUCTIONS
- COOLANT BLOCK
- MANIFOLD BLOCK
- HANDPIECE SUPPLY BLOCK
- EXTRA TUBING

P/N: **MFB-STD-KIT**



SERVICE ITEMS

